



CANNES.2200/C/S Sofa DONALD.1035/PE Side table PLANETARIUM.3300/PEARL Floor lamp VISION.2500/SX/HE Modular sofa ISOTTA Side table LILIA.1090 Coffee table LILIA.1150 Coffee table GRANT.13200/MO/B Storage unit BEATRIX.2150 Armchair







7



LILIA.1090 Coffee table LILIA.1150 Coffee table



CANNES.2200/C/S Sofa







MOSAIC



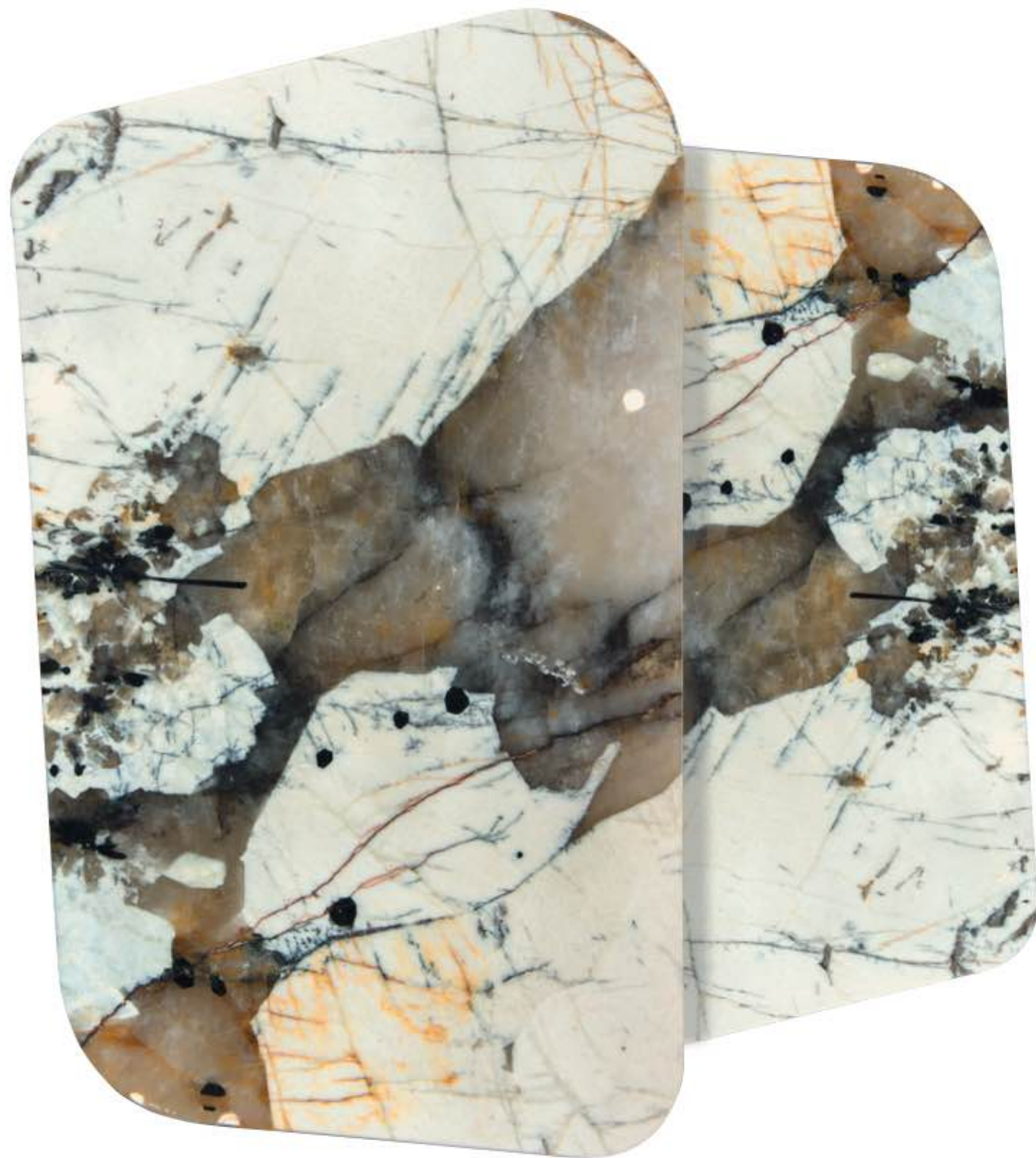
# CIRCULAR MOSAIC



Piece by piece, the master-craftsman inlays and combines with each other many smaller circular ash wood tiles, creating real artworks without depending on industrial machinery processes. This technique is used exclusively for some storage units of Grant collection.







BEATRIX.2150 Armchair CHEOPE.4070/B Side table CHEOPE.4070/A Side table PLANETARIUM.1000/TR Chandelier



BEATRIX.2150 Armchair





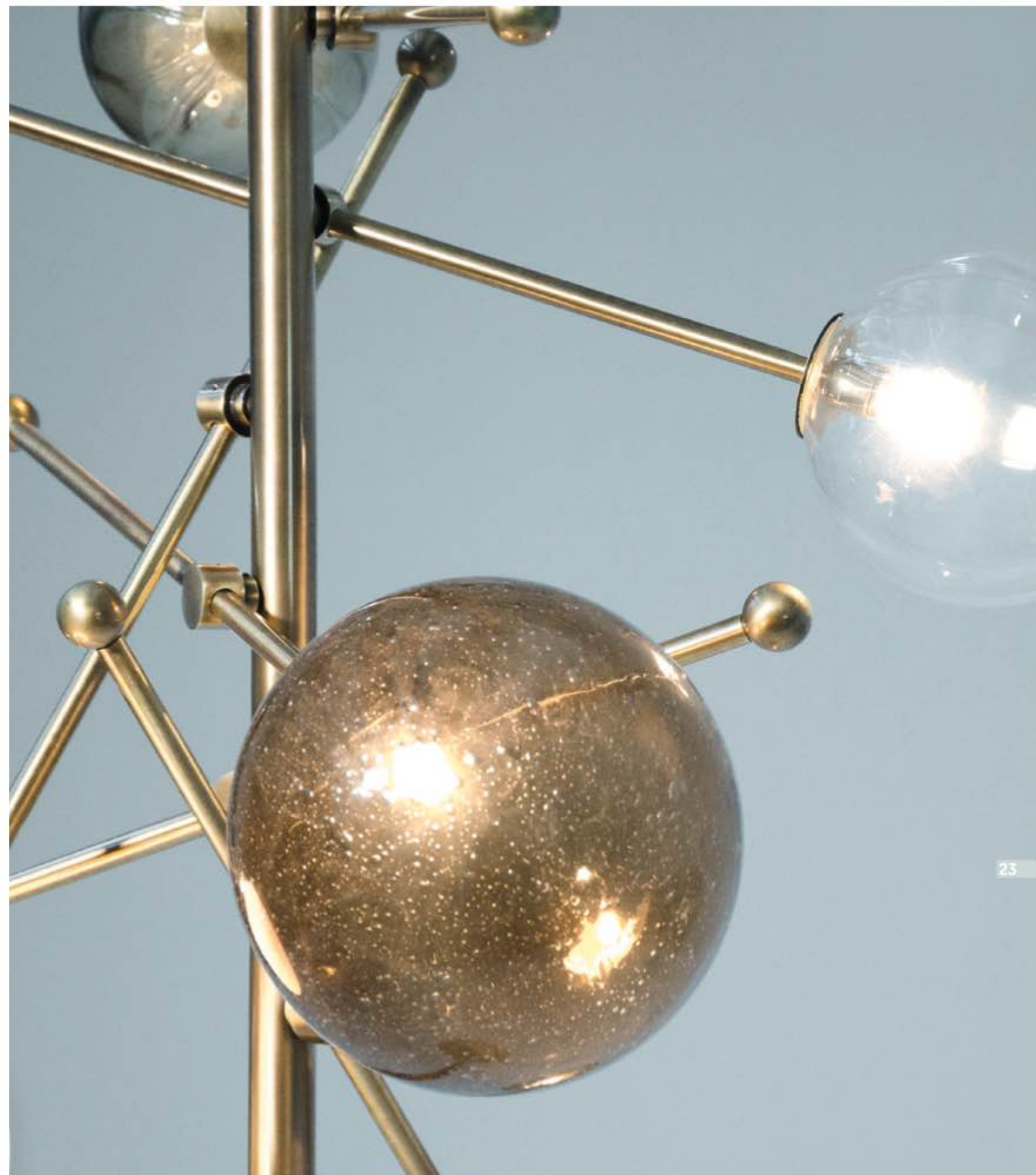


ISOTTA Side table





PLANETARIUM.3300/PEARL Floor lamp









VISION.2800/SX/HE Modular sofa WAVE.2100/TR/BR Armchair OTTO.1130 Coffee table OTTO.1024/A Side table OTTO.1080 Coffee table BLADE.1010 Pouf







WAVE.2100/TR/BR Armchair CHEOPE.1080 Side table





CHEOPE.1050 Side table





VISION.2800/SX/HE Modular sofa BRIDGE.13400 Storage unit WAVE.2100/TR/BR Armchair OTTO.1130 Coffee table OTTO.1024/A Side table OTTO.1080 Coffee table BLADE.1010 Pouf



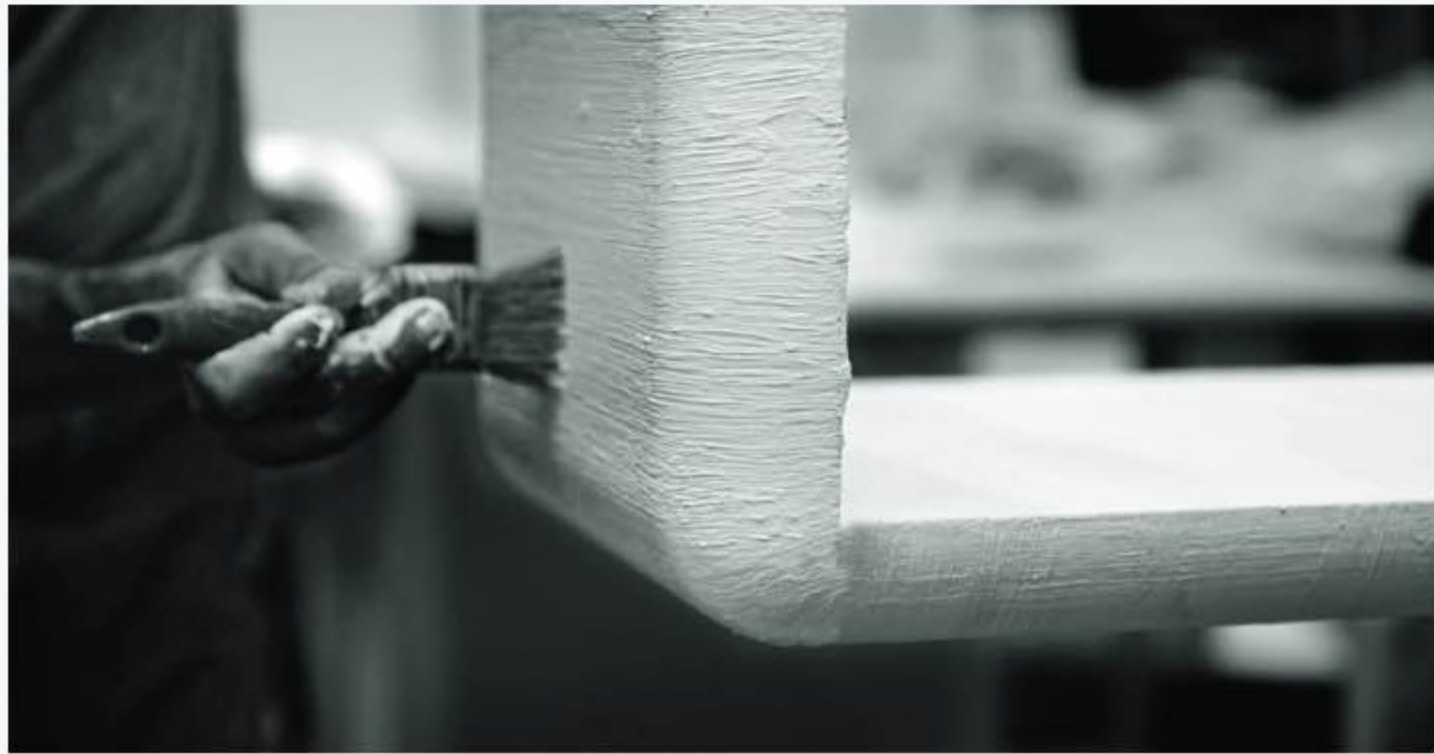




TEXTURE



## TEXTILE



Taking inspiration from lacquering techniques handed down by past generations, Cornelio Cappellini's "master decorators" have developed new decorative textures to be applied to the surfaces of some items, such as Bridge storage unit.

The exclusive lacquering "textile texture" effect perfectly shows this artistic skill, which is still present in the company and applied to the collections with contemporary design.

## TEXTURE







OTTO.1130 Coffee table OTTO.1024/A Side table OTTO.1080 Coffee table











# CONCRETE





## SCULPTURE



## AND MINIMALISM

For the first time, in its continuous search for new materials and new construction techniques, Cornelio Cappellini has used "concrete": a completely unusual choice in furniture manufacturing.

This material is molded completely by hand, to create legs of storage units and poufs, giving them an amorphous look.

The irregularity of the surfaces creates an elegant contrast with the other materials used in combination, such as metal.

The results of this handmade technique are masterpieces so appreciated by contemporary art galleries, such as the pieces of Blade collection, intended for people always looking for unique products.



VISION.2100/HE Armchair CHEOPE.1050 Side table LINEUP.5030/MA Side table



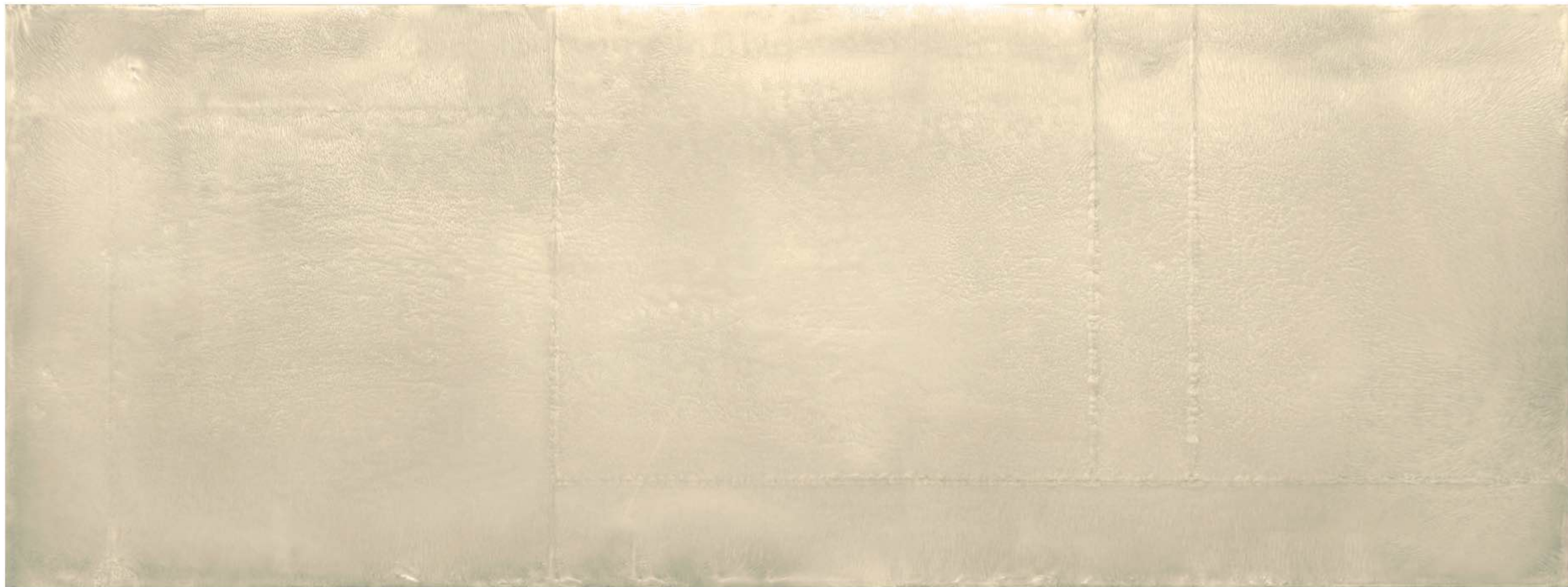




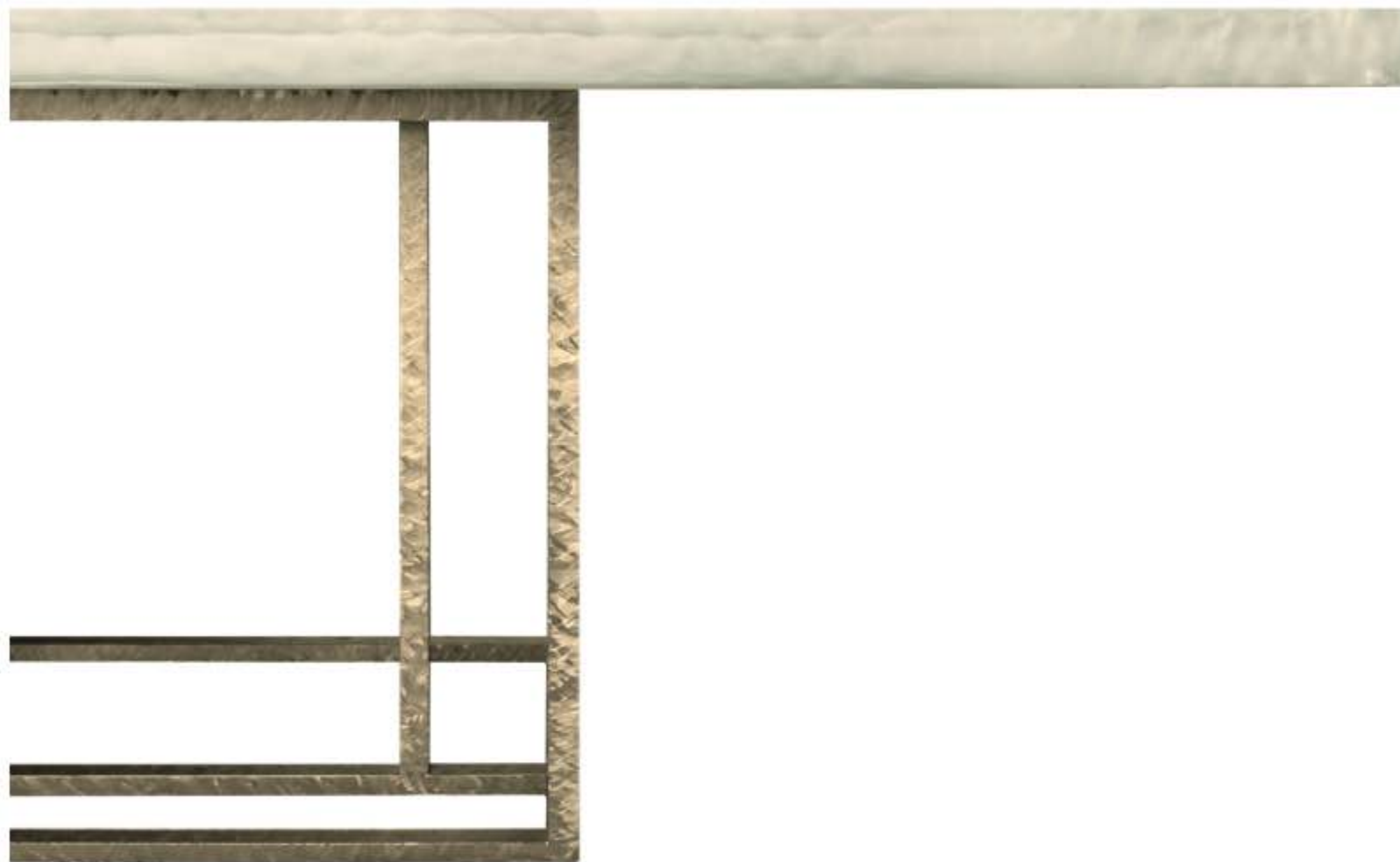








LINEUP:8350 Table





R E S I N





Through its "master decorators", Cornello Cappellini continues to offer its own personal interpretation in the use of resin combined with other materials. In the collection of table Lineup, the resin-based finishing process plays a dual role, inspiring both preciousness and uniqueness. Each table top is unique, always different from the previous ones.



## PRECIOUS RESIN



DIAMOND.13400 Storage unit PLANETARIUM.2100/TR Wall lamp





PLANETARIUM.2100/TR Wall lamp











VISION.2650/DX/HE Modular sofa EUPHORIA.2100/ST Armchair LINEUP.2177/MA Coffee table LINEUP.3025 Side table LINEUP.5030/MA Side table







VISION.2550/SX/HE Modular sofa



VISION.2600/SX/HE Modular sofa



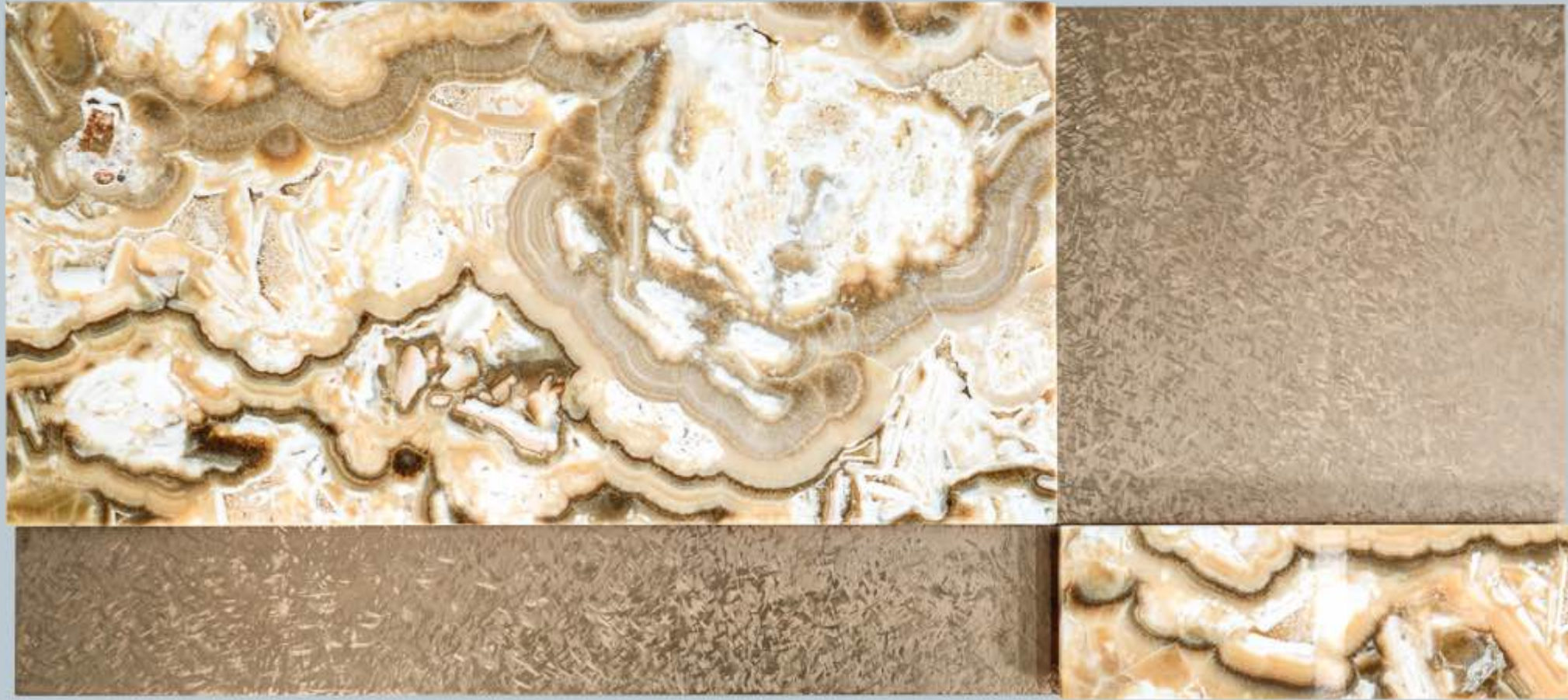


EUPHORIA.2100/ST Armchair





LINEUP.2177/MA Coffee table    LINEUP.3090/B/MA Coffee table







M E T A L



# JEWELLERY TECHNIQUE

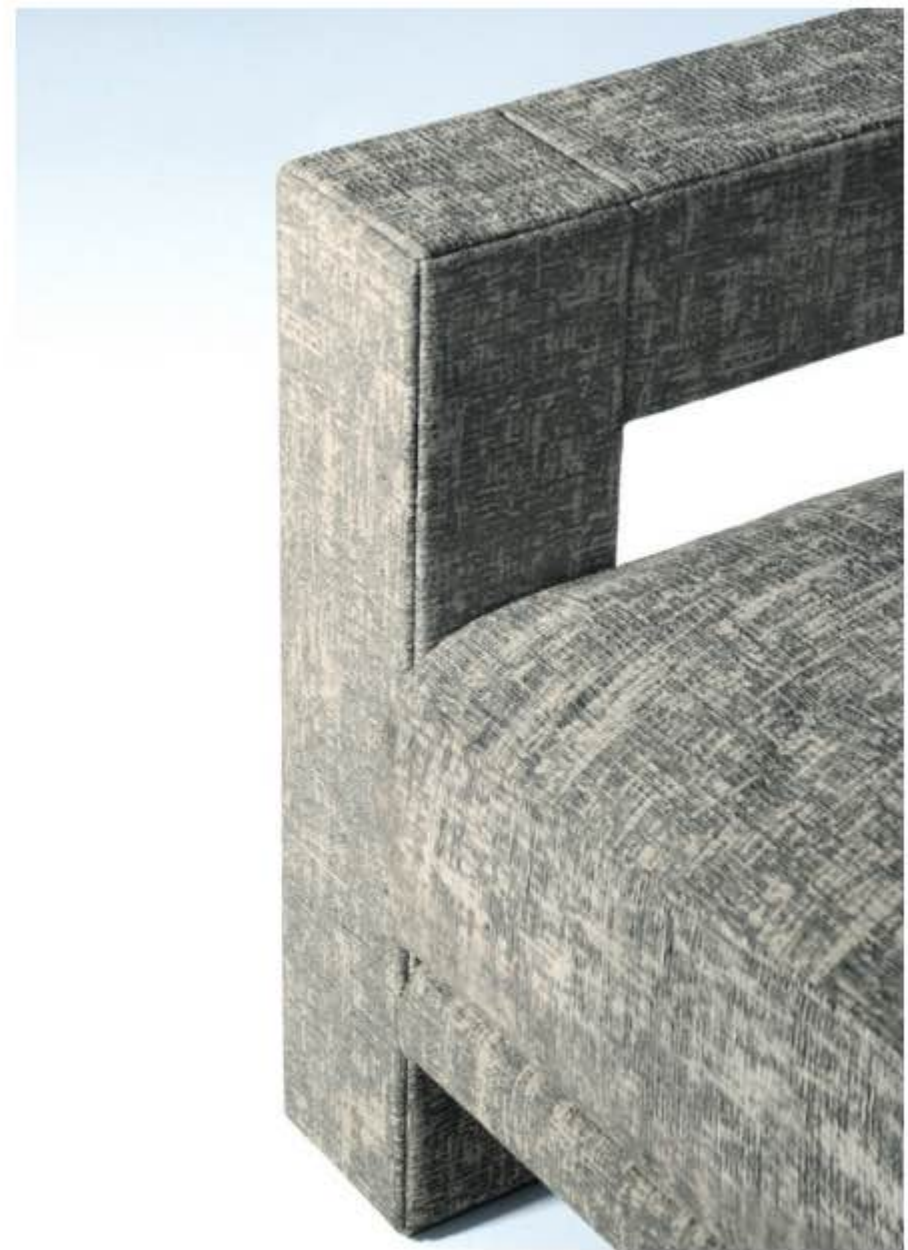


The skillful manual ability in metal engraving is inspired by a technique of Italian luxury jewelry. In the armchairs of Faraday collection the artisan-artist has been able to soften the austerity typical of a metal structure, making it lighter and more elegant.





VISION.2100/HE Armchair















CHEOPE.8280 Table CASCADE.1000 Chandelier DOMINO.13400/A Storage unit



C O R T E X





# NATURE STRENGTH



This handmade technique, inspired by the nature around us, is the result of the designer's artistic expression. A thin sheet of metal is modelled on a supporting structure to create a surface with a strong three-dimensionality, emphasized by a chromatic treatment that enhances its texture. This texture is available in different chromatic shades for the tables of Cheope collection.









CASCADE.1000 Chandelier









VISION.2700/HE Modular sofa GEOMETRY.2100 Wall lamp DOMINO.13400/B Storage unit CANNES.2250 Sofa MILLER.3110/A Coffee table MILLER.3110/B/MA Coffee table FARADAY.2100 Armchair REDRIVER Artwork ARMOUR Artwork GESSO Artwork





CANNES.2250 Sofa





UPHOLSTERY





WISE

CRAFTMANSHIP

The leather upholstery of a curved surface is the expression of a great manual skill, able to shape this natural material.

This technique is clearly visible in Cannes armchairs and sofas, where a series of elements in curved multilayer wood, with oval-shaped section, are covered in leather by skilled craftsmen.





MILLER.3110/A Coffee table MILLER.3110/B/MA Coffee table







DOMINO.13400/B Storage unit REDRIVER Artwork ARMOUR Artwork GESSO Artwork







FARADAY.2100 Armchair

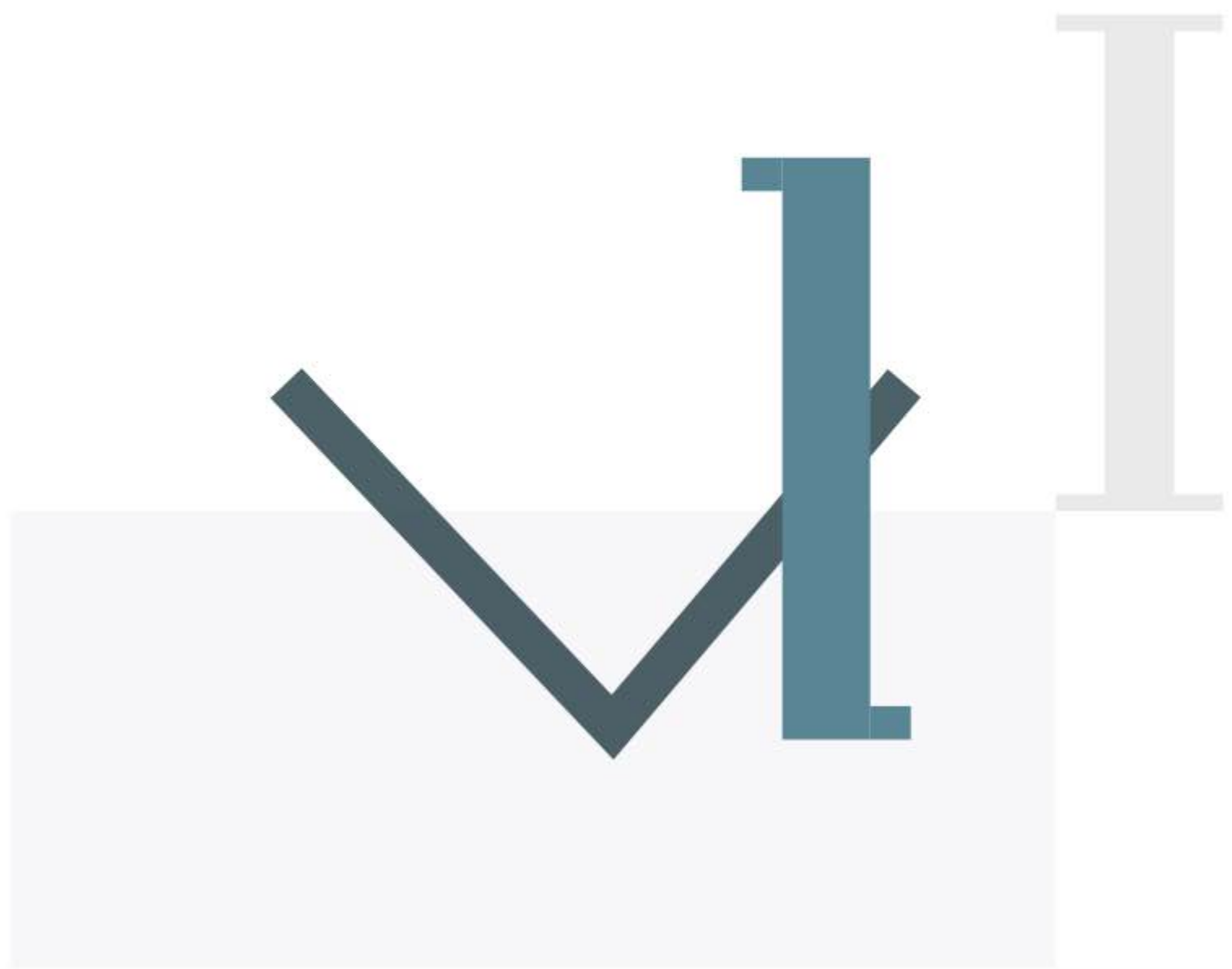




VISION.2700/HE Modular sofa GEOMETRY.2100 Wall lamp MILLER.3110/A Coffee table















MOON ROCK



# ART INSPIRATION

The decoration technique used for Otto table top is expression of the artistic ability that has always been present in the company. A very thin sheet of metal is molded on a surface decorated with Beam drawings, interrupted diagonally. A complex process of resining makes the surface smooth, keeping its three-dimensional visual effect.







HOLLY.1030 Chair



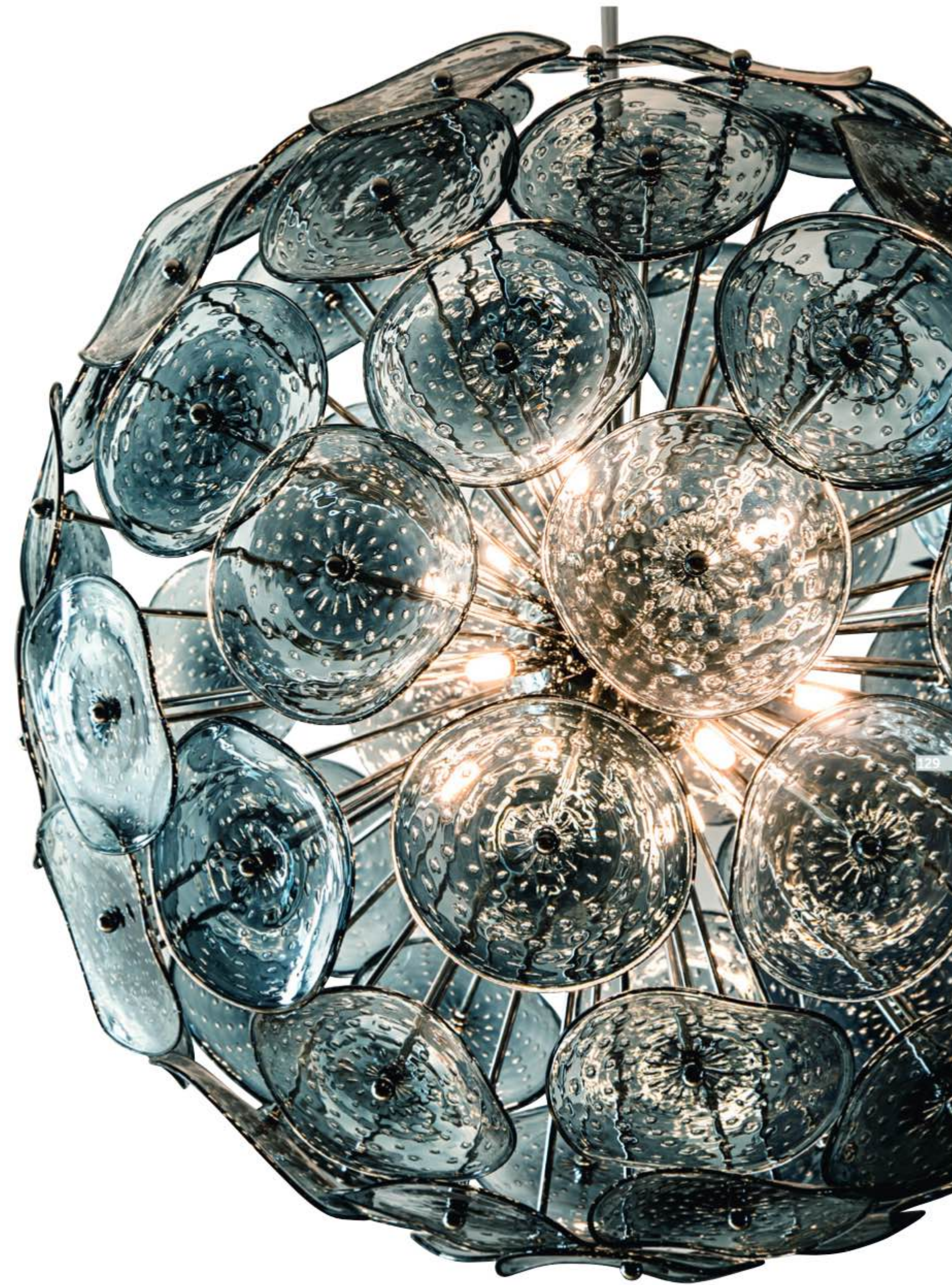
DIAMOND.13300 Storage unit







RICHMOND.1100 Chandelier



RICHMOND.1300 Chandelier

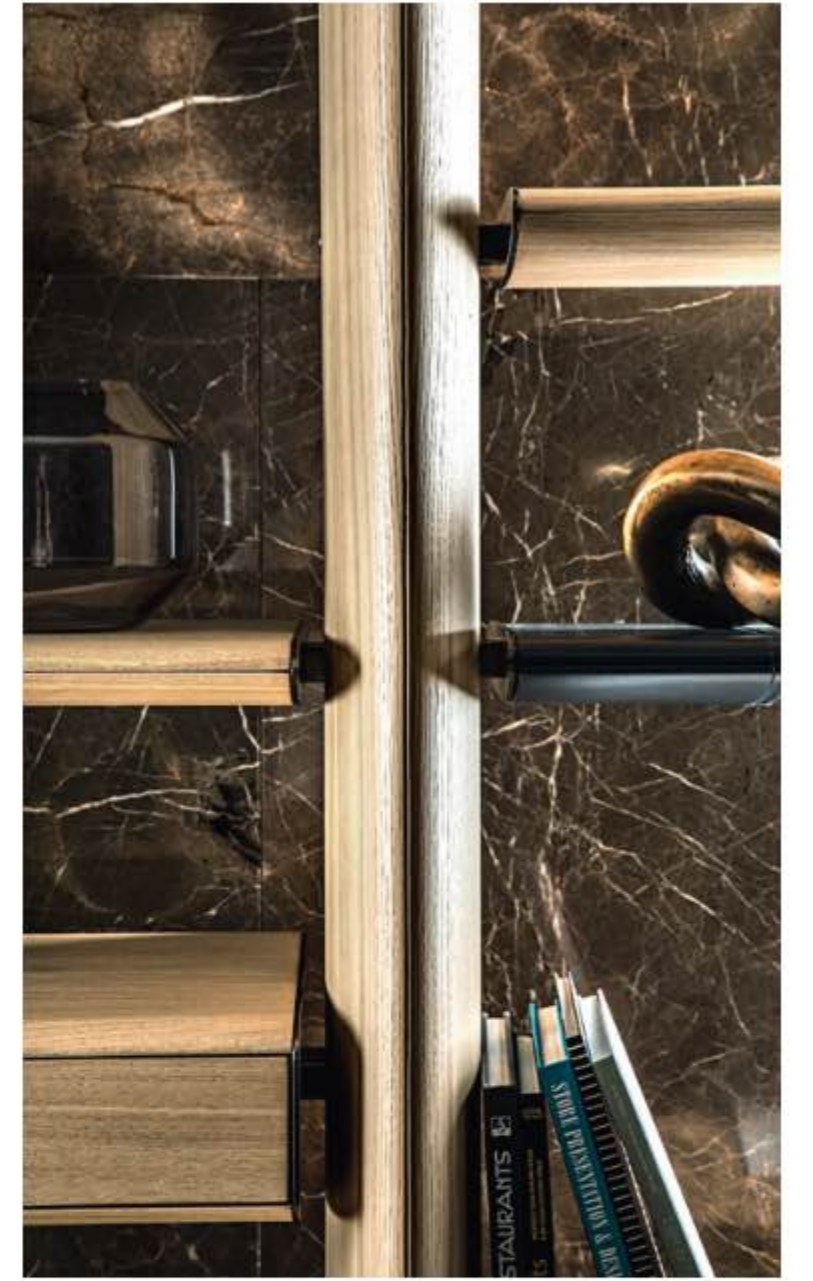


ECLIPSE.14700 Bookcase





ECLIPSE.14700 Bookcase





**W**

W

W

W

















CANNES.2100 Armchair





CHEOPE.3070 Coffee table CHEOPE.3090 Coffee table CHEOPE.4070/A Side table







DOT.1010 Pouf





X







MILLER.5154 Table





# MAGMA





# ARTISTIC GLASS



For many years the company has collaborated with the Masters of glass art in the area of Venice.

The collection of tables "Miller" highlights the great skill of these artists, who have learnt the ancient techniques of Murano and have handed them down from generation to generation.

The glass top was born from the desire of the company to experiment with a completely unconventional product, reinterpreting a millennial tradition in a modern key.

The production difficulties of a pouring process aimed at obtaining a large and thick glass top makes this piece a unique element.

The top looks smooth to the touch on the upper surface but it is given a "visual sense of movement" by the reflections in the lower surface.





EUPHORIA.1030/ST Chair



EUPHORIA.1040/ST Armchair





BLADE.13200 Storage unit



















LINEUP.9100 Chest



LINEUP9300/DX Night table





**X** **x**



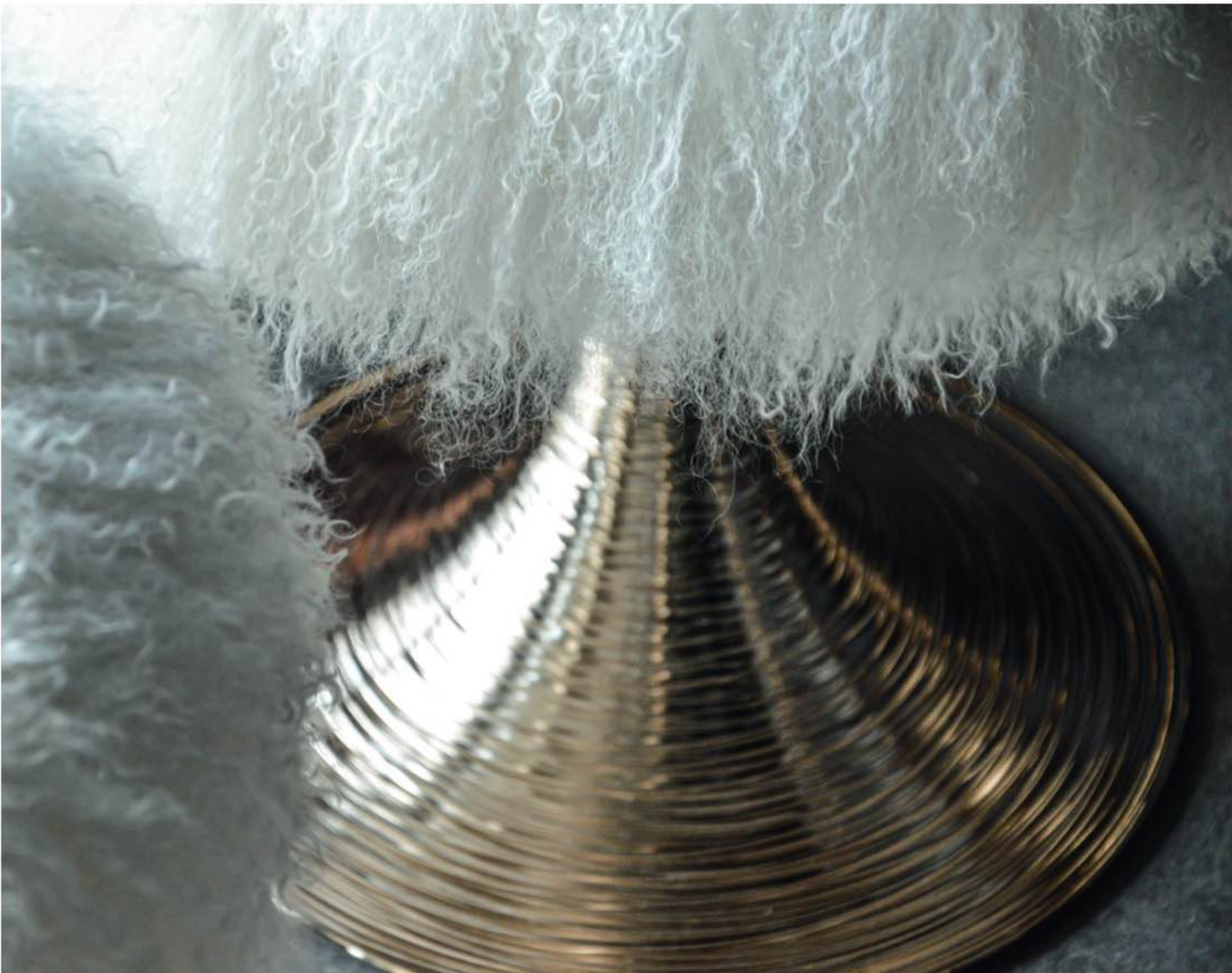






FARADAY.2200 Sofa





DONALD.1035/R/Pouf Pouf





FARADAY.1030/A Armchair





KEVIN.1070 Side table







**TECHNICAL**

DA  
TA

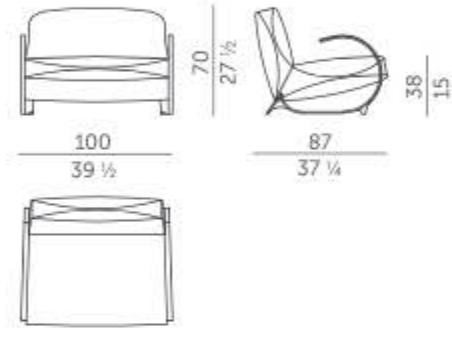


# Beatrix

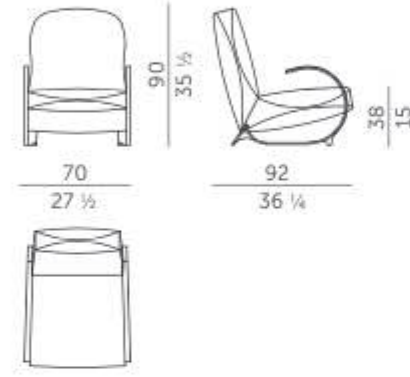
Design Claudio Cappellini - 2017

Armchair

**BEATRIX.2150**



**BEATRIX.2100**



## Metal parts



ME11 Shiny chrome finish



ME13 Shiny black nickel finish



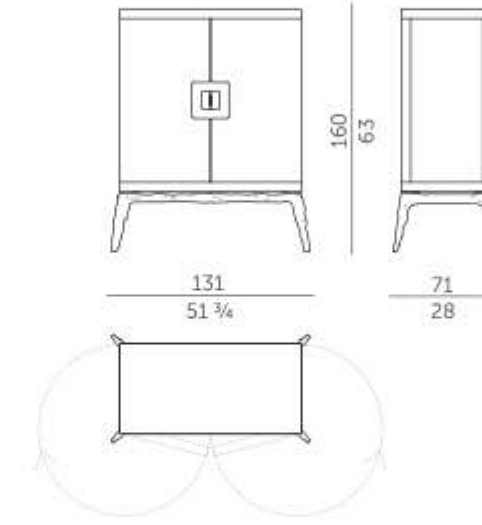
ME14 Brushed bronze finish

# Blade

Design Claudio Cappellini - 2018

Storage unit

**BLADE.13200**



## Lacquered structure



FP31 Glossy aqua green  
FP31M Matt aqua green



FP11 Glossy ivory  
FP11M Matt ivory

## Artistic resin doors



RE14 Glossy aqua green



RE11 Glossy ivory

## Artistic finish base



CO11 Concrete



CO11 Concrete

## Metal parts



ME17 Matt light nickel finish



ME17 Matt light nickel finish

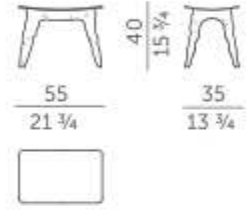


# Blade

Design Claudio Cappellini - 2018

Pouf

**BLADE.1010**



**Metal seat**



ME11 Shiny chrome finish



ME12 Shiny gold finish

**Artistic finish base**



CO11 Concrete



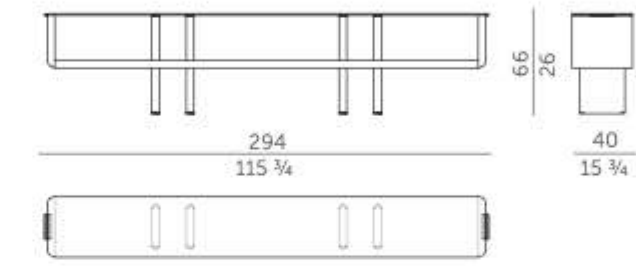
CO11 Concrete

# Bridge

Design Luca Erba - 2018

Storage unit

**BRIDGE.13400**



**Artistic finish** structure



TX11 Bordeaux linen texture



TX12 Ivory linen texture

**Lacquered** legs



FP30 Glossy dark red  
FP30M Matt dark red



FP20 Glossy ice  
FP20M Matt ice

**Metal** details



ME15 Matt gold finish

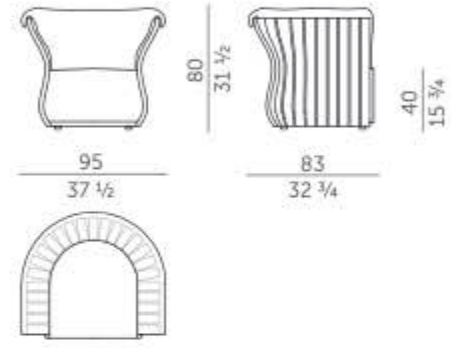


ME11 Shiny chrome finish



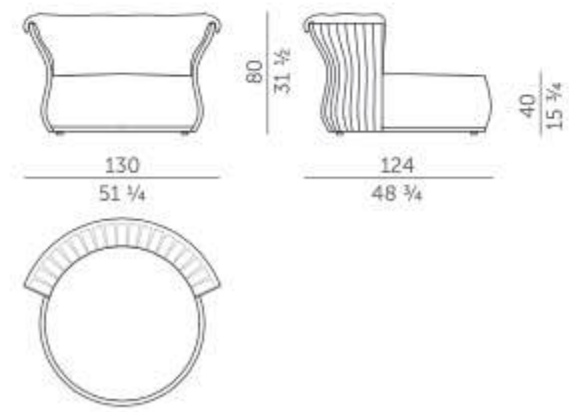
## Armchair

### CANNES.2100

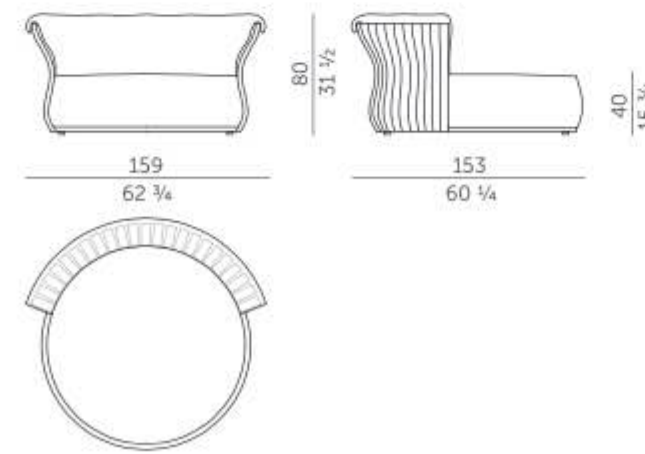


## Sofa

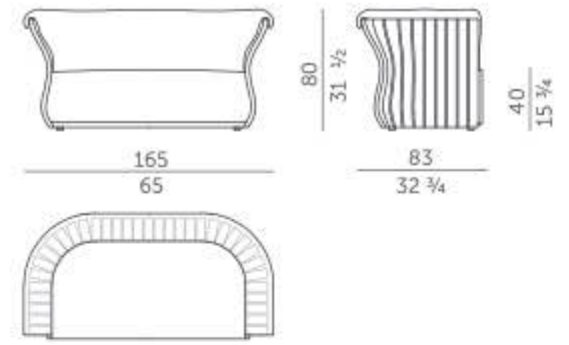
### CANNES.2200/C/S



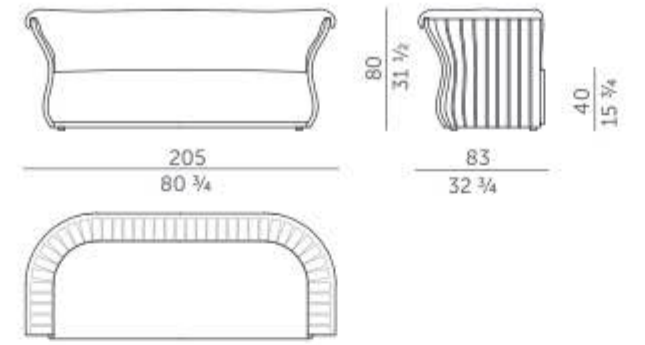
### CANNES.2200/C



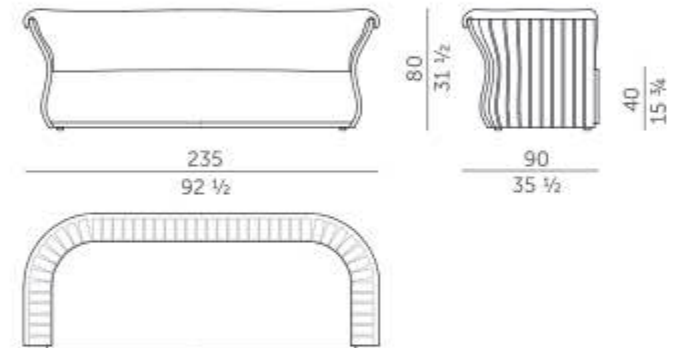
### CANNES.2200



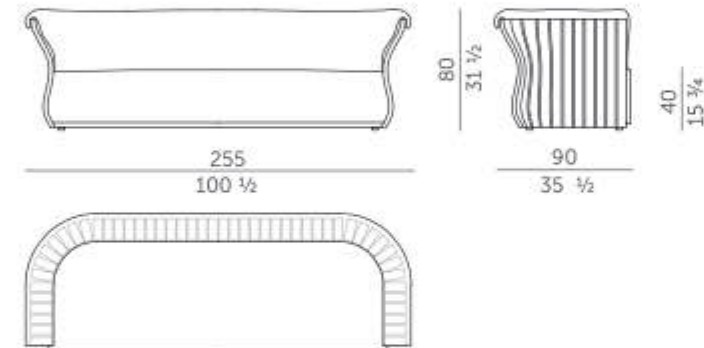
### CANNES.2250



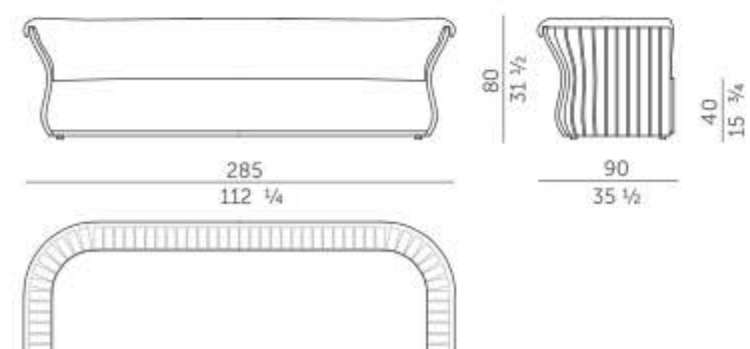
### CANNES.2300



### CANNES.2350

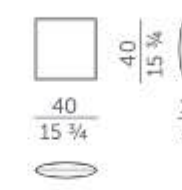


### CANNES.2400

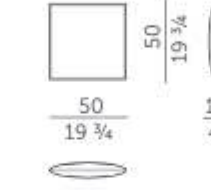


## Fabric cushion

### CT.4040

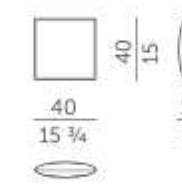


### CT.5050

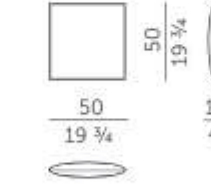


## Leather cushion

### CP.4040



### CP.5050



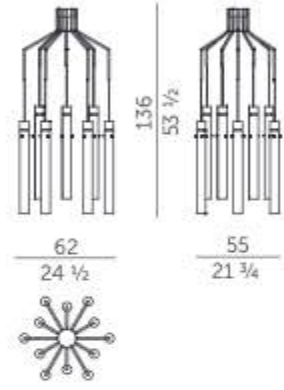


# Cascade

Design Claudio Cappellini - 2018

Chandelier

CASCADE.1000



Metal structure



ME11 Shiny chrome finish



ME12 Shiny gold finish



ME14 Brushed bronze finish

Artistic glass elements



VM59 Clear glass with melted grit



VM59 Clear glass with melted grit



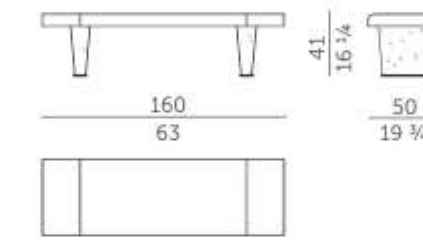
VM59 Clear glass with melted grit

# Cheope

Design Claudio Cappellini - 2018

Bench

CHEOPE.4100



Saddle leather seat



S2000/1 Panna



S2000/2 Naturale

Artistic finish legs



CP11 Silver cortex



CP13 Bronze cortex

Metal details



ME18 Matt black nickel finish

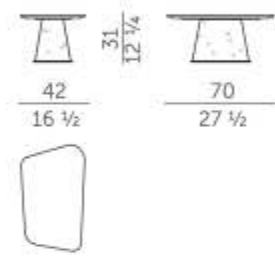


ME18 Matt black nickel finish

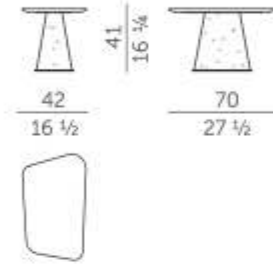


## Side table

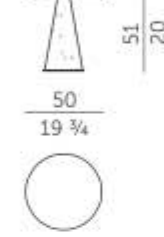
### CHEOPE.4070/B



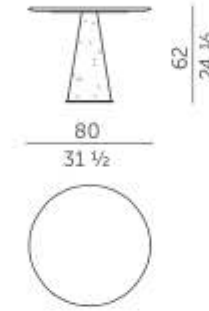
### CHEOPE.4070/A



### CHEOPE.1050

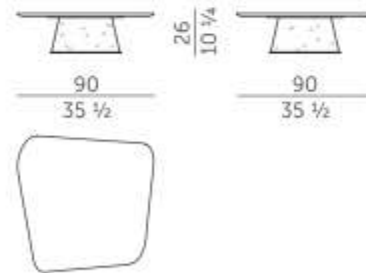


### CHEOPE.1080

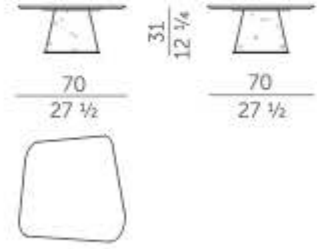


## Coffee table

### CHEOPE.3090



### CHEOPE.3070



## Marble top



MA27 Patagonia



MA28 Dover White



MA28 Dover White



MA29M Matt Calacatta Vagli Rosso



MA31 Ocean Storm

## Artistic finish base



CP12 Moka cortex



CP11 Silver cortex



CP13 Bronze cortex



CP12 Moka cortex



CP11 Silver cortex

## Metal detail



ME18 Matt black nickel finish



ME18 Matt black nickel finish



ME18 Matt black nickel finish



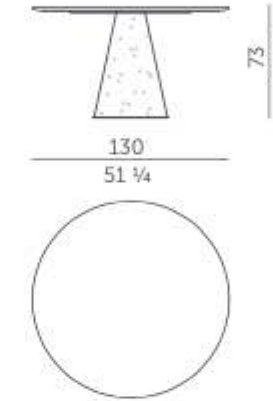
ME18 Matt black nickel finish



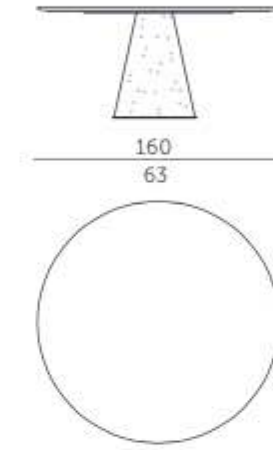
ME18 Matt black nickel finish

## Table

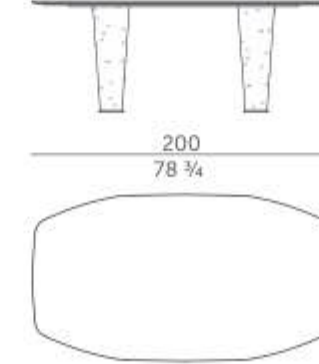
### CHEOPE.5130



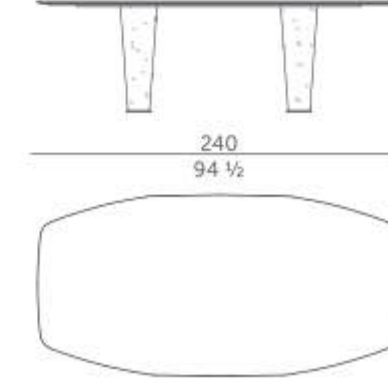
### CHEOPE.5160



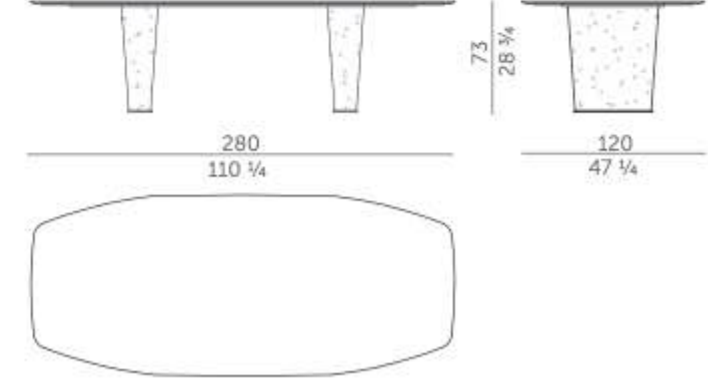
### CHEOPE.8200



### CHEOPE.8240



### CHEOPE.8280



## Marble top



MA27 Patagonia



MA28 Dover White



MA28 Dover White



MA29M Matt Calacatta Vagli Rosso



MA31 Ocean Storm

## Artistic finish base



CP12 Moka cortex



CP11 Silver cortex



CP13 Bronze cortex



CP12 Moka cortex



CP11 Silver cortex

## Metal detail



ME18 Matt black nickel finish



ME18 Matt black nickel finish



ME18 Matt black nickel finish



ME18 Matt black nickel finish

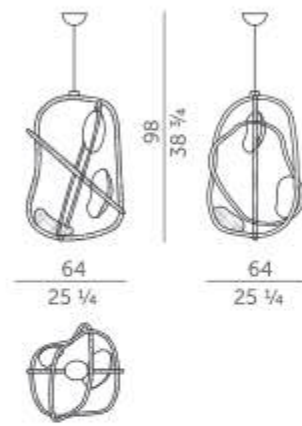


ME18 Matt black nickel finish



Chandelier

CLOUD.1000



Metal structure



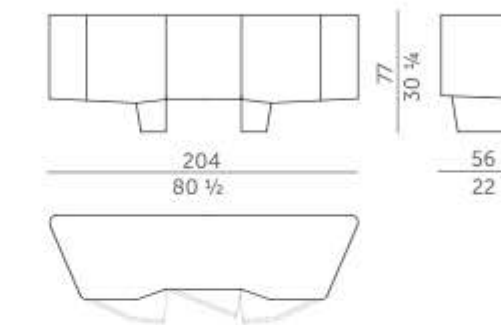
ME55SM Matt champagne varnish on frosted brass



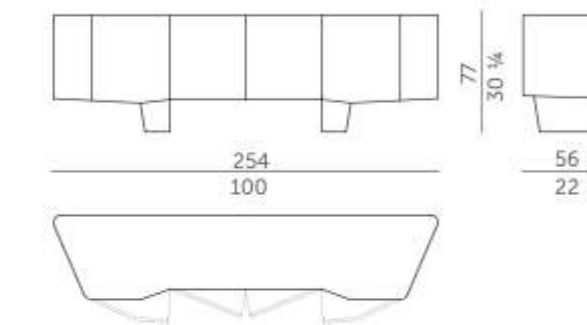
ME56SM Matt light gold varnish on frosted brass

Storage unit

DIAMOND.13300



DIAMOND.13400



Marble top



MA28 Dover White

Lacquered structure



FP25 Glossy blue-green  
FP25M Matt blue-green

Metal details



ME18 Matt black nickel finish

Marble top



MA32 Calacatta Brazil

Mother of pearl lacquered structure



FM14 Glossy quartz  
FM14M Matt quartz

Metal details



ME18 Matt black nickel finish

Marble top



MA13 Calacatta Oro  
MA13M Matt Calacatta Oro

Metallic lacquered structure



MB11 Glossy bronze

Metal details



ME18 Matt black nickel finish

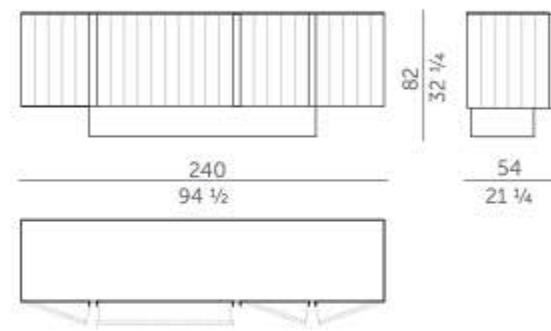


# Domino

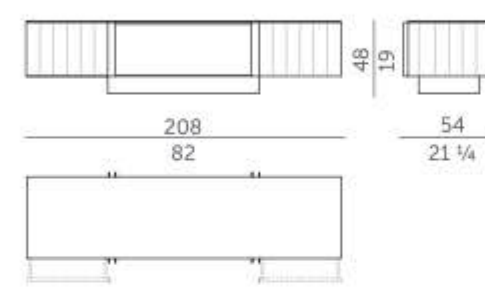
Design Claudio Cappellini - 2018

Storage unit

**DOMINO.13400/A**



**DOMINO.13400/B**



**Artistic resin top**



RE11 Glossy ivory

**Artistic resin structure**



RE11 Glossy ivory

**Metal details**



ME18 Matt black nickel finish



RE15 Glossy moka



RE15 Glossy moka



ME14 Brushed bronze finish

**Marble top**



MA15 Marron Damasco

**Artistic resin structure**



RE11 Glossy ivory

**Metal details**



ME18 Matt black nickel finish



MA13 Calacatta Oro  
MA13M Matt Calacatta Oro



RE15 Glossy moka



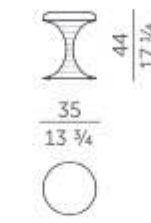
ME14 Brushed bronze finish

# Donald

Design Claudio Cappellini - 2017

Pouf

**DONALD.1035/R/POUF**



**Metal base**



ME11 Shiny chrome finish



ME12 Shiny gold finish

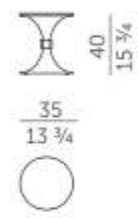


# Donald

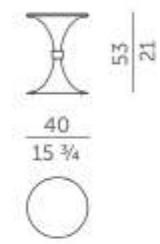
Design Claudio Cappellini - 2017

Side table

**DONALD.1035/PE**



**DONALD.1040/PE**



**Marble top**



MA15 Marron Damasco



MA18 Pesco



MA21 Zebrino



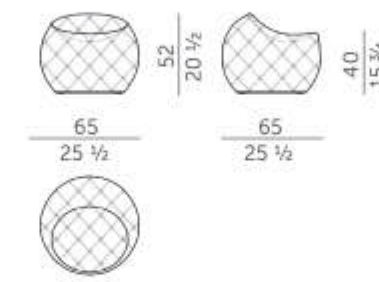
MA13 Calacatta Oro  
MA13M Matt Calacatta Oro

# Dot

Design Claudio Cappellini - 2018

Pouf

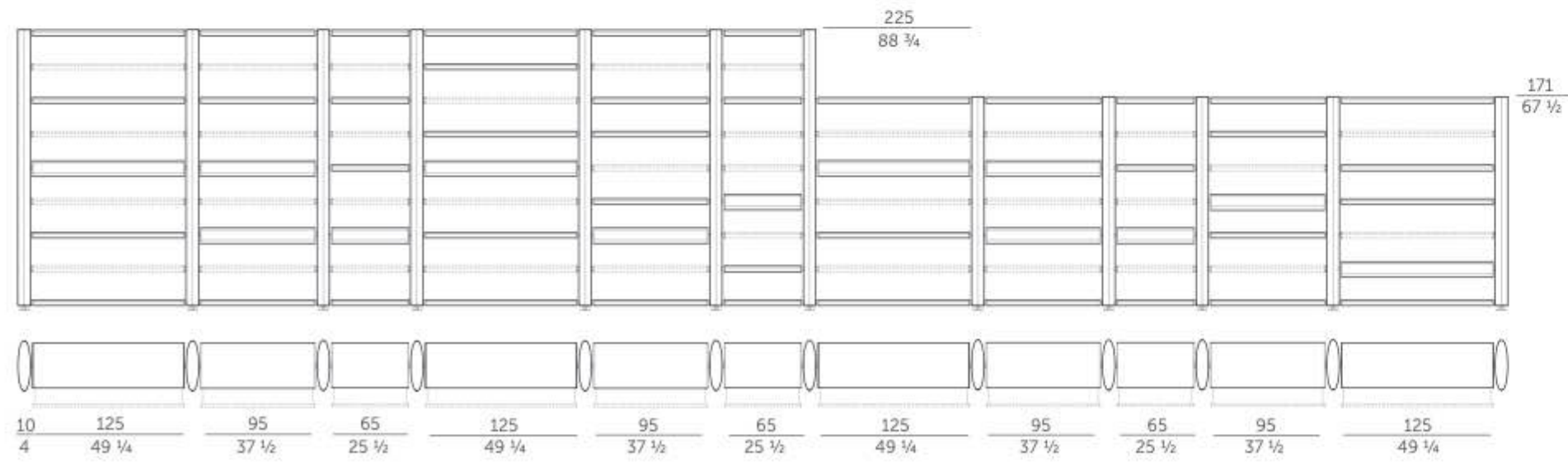
**DOT.1010**





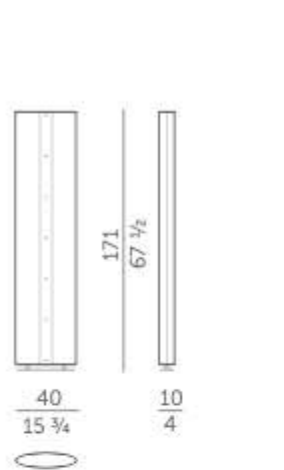


Modular bookcase scheme

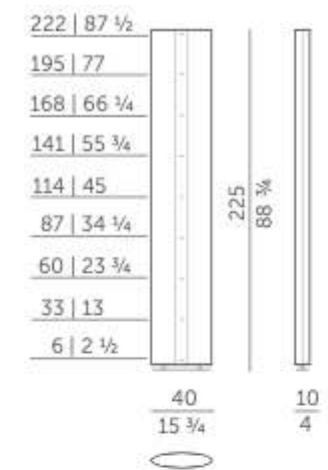


Central shoulder

ECLIPSE.CS.171

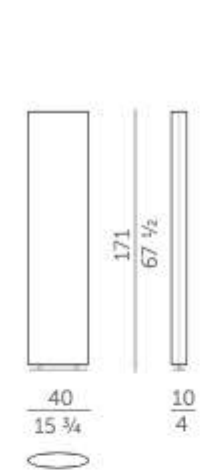


ECLIPSE.CS.225

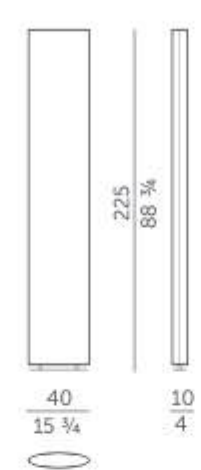


Lateral shoulder

ECLIPSE.LS.171

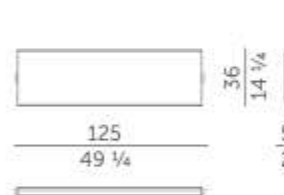


ECLIPSE.LS.225

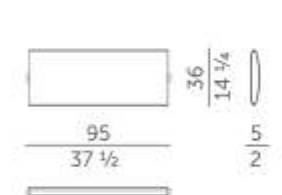


Shelf

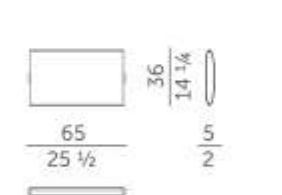
ECLIPSE.SH.125



ECLIPSE.SH.95

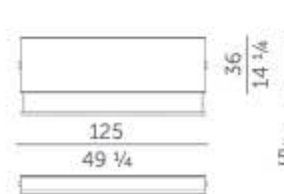


ECLIPSE.SH.65

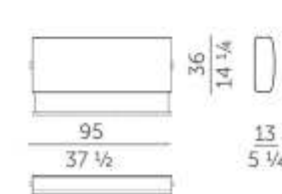


Drawer

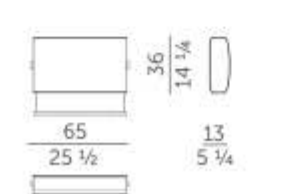
ECLIPSE.DR.125



ECLIPSE.DR.95

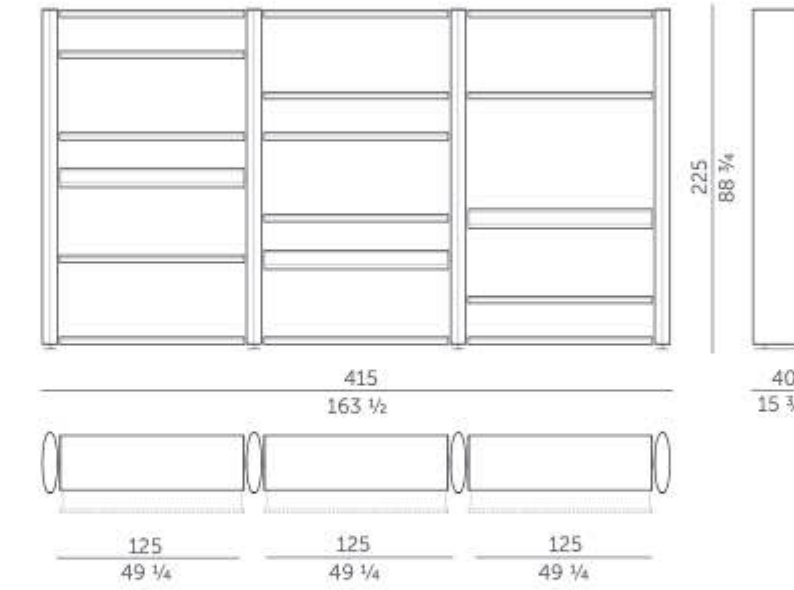


ECLIPSE.DR.65

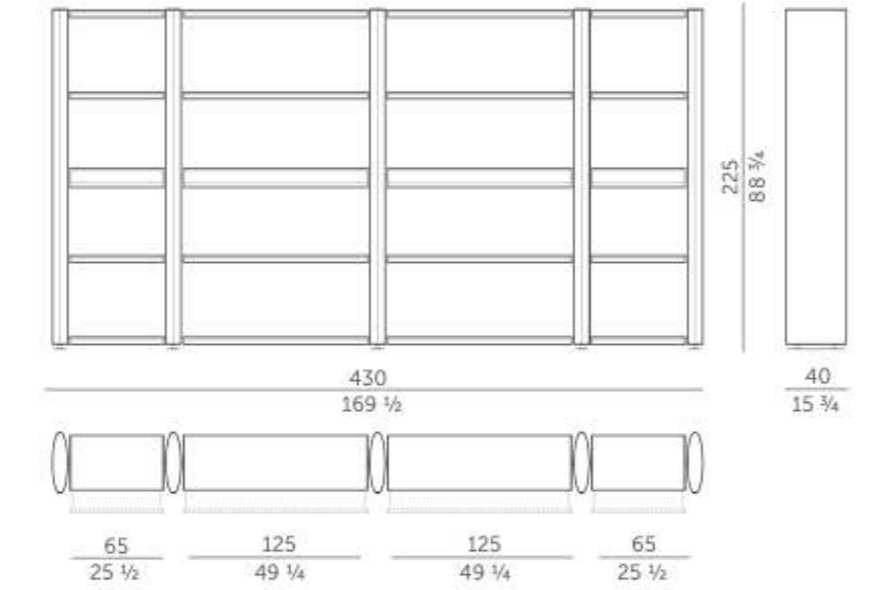


Modular bookcases proposals

ECLIPSE.14700



ECLIPSE.14400



Wooden structure (veneer)



RP11N Natural poplar root



RN11N Natural oak



EB11G Glossy ebony



EB11N Natural ebony

Metal details



ME15 Matt gold finish



ME18 Matt black nickel finish



ME18 Matt black nickel finish



ME18 Matt black nickel finish

Saddle leather shelves (on demand)



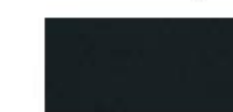
S2000/1 Panna



S2000/2 Naturale



S2000/3 Blue navy



S2000/5 Liquirizia

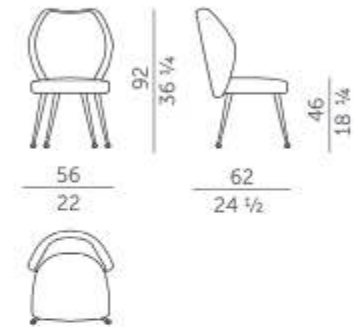


# Euphoria

Design Claudio Cappellini - 2017

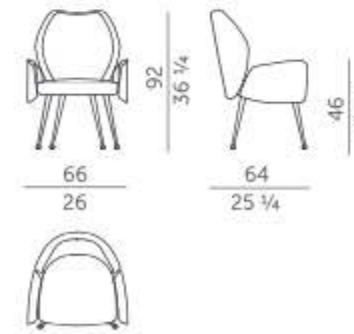
## Chair

### EUPHORIA.1030/ST

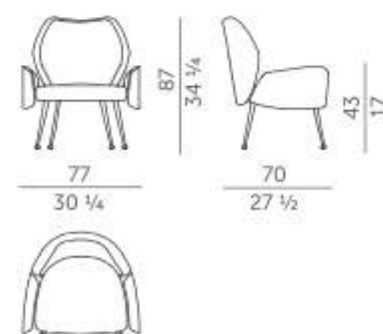


## Armchair

### EUPHORIA.1040/ST



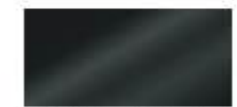
### EUPHORIA.2100/ST



## Metal legs



ME11 Shiny chrome finish



ME13 Shiny black nickel finish



ME14 Brushed bronze finish



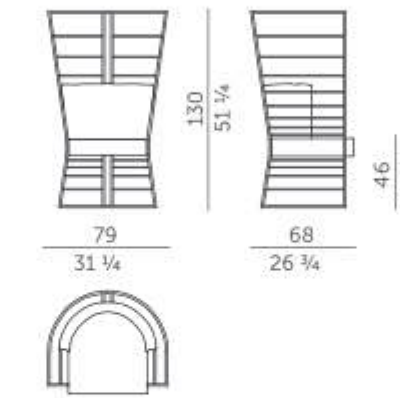
ME15 Matt gold finish

# Faraday

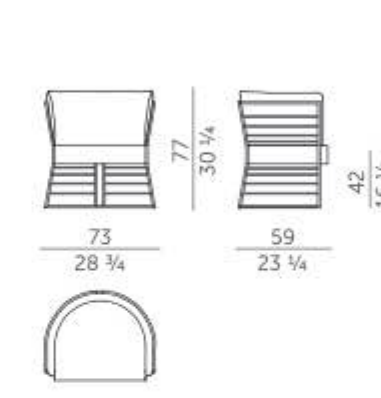
Design Claudio Cappellini - 2018

## Armchair

### FARADAY.1030/A

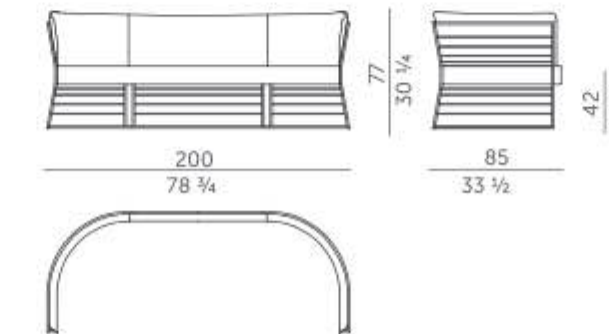


### FARADAY.2100



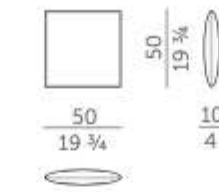
## Sofa

### FARADAY.2200

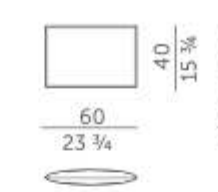


## Fabric cushion

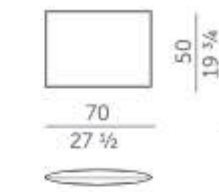
### CT.5050



### CT.6040

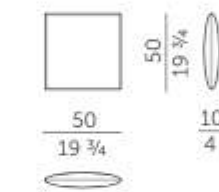


### CT.7050

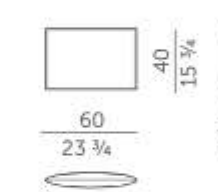


## Leather cushion

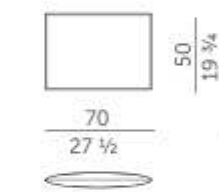
### CP.5050



### CP.6040



### CP.7050



## Metal structure



ME51SM Matt light nickel varnish on frosted brass



ME54SM Matt bronze varnish on frosted brass



ME55SM Matt champagne varnish on frosted brass



ME56SM Matt light gold varnish on frosted brass

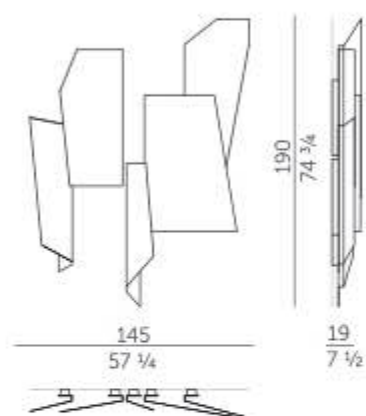


# Geometry

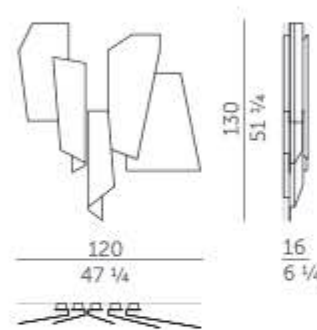
Design Claudio Cappellini - 2017

Wall lamp

**GOMETRY.2100**



**GOMETRY.2100/S**



**Metal** structure



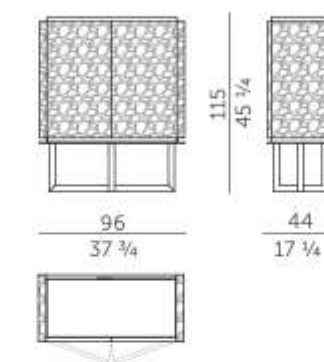
ME15 Matt gold finish

# Grant

Design Claudio Cappellini - 2017

Storage unit

**GRANT.13200/MO/B**



**Wooden mosaic** structure



MS13 Off white decapé



MS11 Glossy platinum

**Marble** parts



MA15 Marron Damasco



MA13 Calacatta Oro  
MA13M Matt Calacatta Oro

**Metal** parts



ME11 Shiny chrome finish

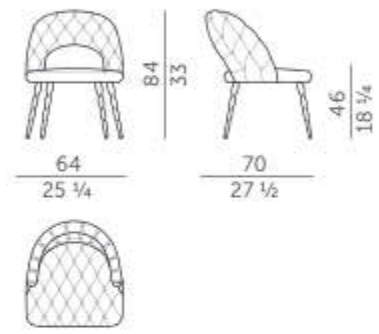


ME11 Shiny chrome finish



Chair

HOLLY.1030



Metal legs



ME13 Shiny black nickel finish



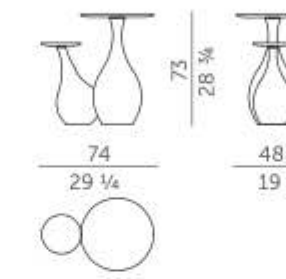
ME14 Brushed bronze finish



ME17 Matt light nickel finish

Side table

ISOTTA



Marble top



MA15 Marron Damasco



MA27 Patagonia



MA13 Calacatta Oro  
MA13M Matt Calacatta Oro

Artistic finish on pottery base



TX12 Ivory linen texture



TX12 Ivory linen texture



TX12 Ivory linen texture

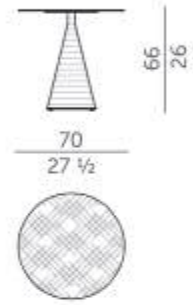


# Kevin

Design Claudio Cappellini - 2018

Side table

**KEVIN.1070**



**Metal top**



ME51SM Matt light nickel varnish on frosted brass



ME56SM Matt light gold varnish on frosted brass

**Metal base**



ME11 Shiny chrome finish



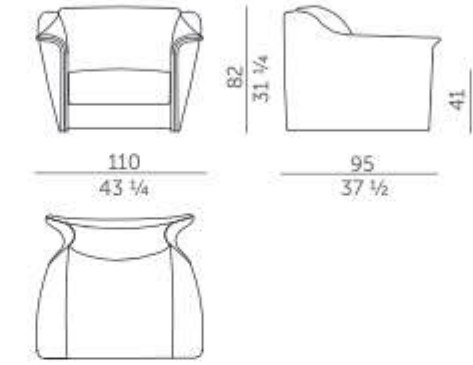
ME12 Shiny gold finish

# Laryssa

Design Claudio Cappellini - 2017

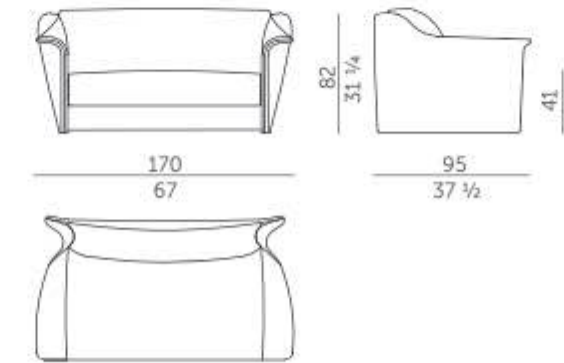
Armchair

**LARYSSA.2100**

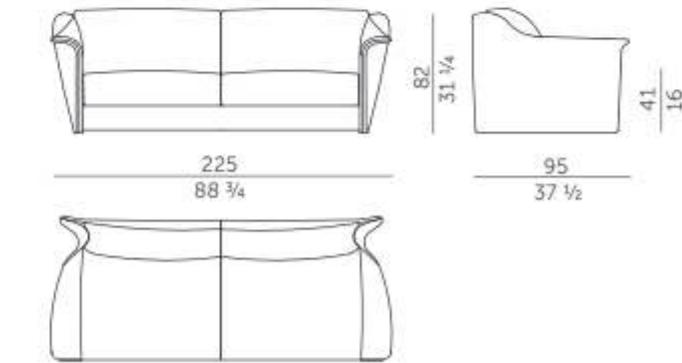


Sofa

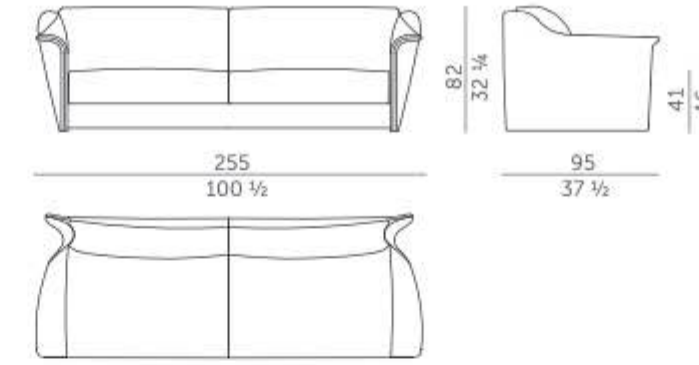
**LARYSSA.2200/S**



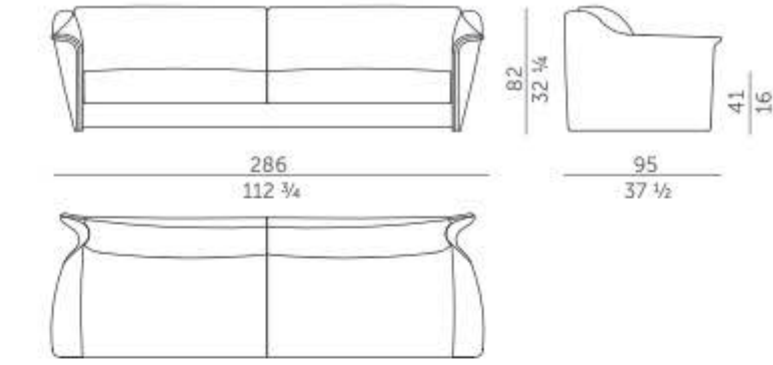
**LARYSSA.2200**



**LARYSSA.2300**

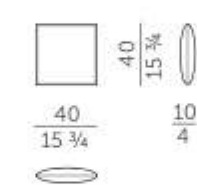


**LARYSSA.2400**

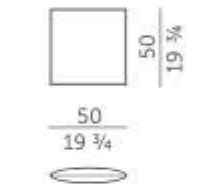


Fabric cushion

**CT.4040**

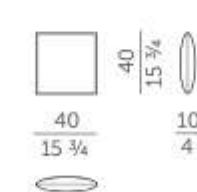


**CT.5050**

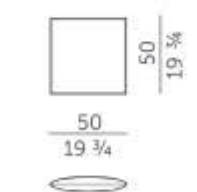


Leather cushion

**CP.4040**



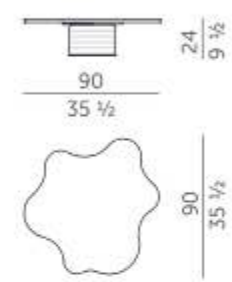
**CP.5050**



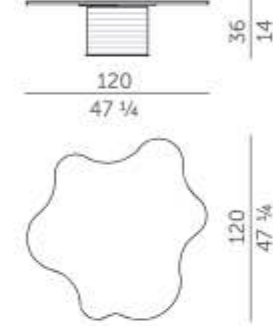


## Coffee table

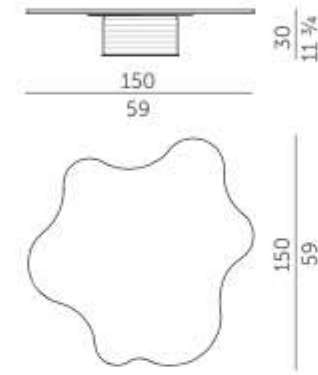
### LILIA.1090



### LILIA.1120



### LILIA.1150



## Marble top



MA15 Marron Damasco



MA25 Fior di Pesco Grigio



MA27 Patagonia



MA28 Dover White



MA13 Calacatta Oro  
MA13M Matt Calacatta Oro

## Metal base



ME17 Matt light nickel finish



ME11 Shiny chrome finish



ME14 Brushed bronze finish



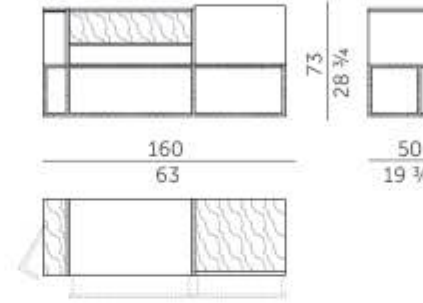
ME18 Matt black nickel finish



ME17 Matt light nickel finish

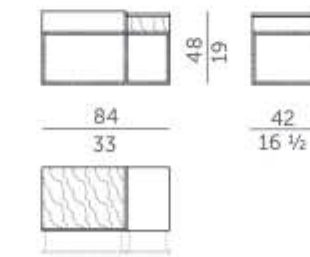
## Chest

### LINEUP9100

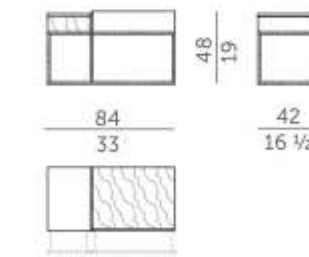


## Night table

### LINEUP9300/SX



### LINEUP9300/DX



## Marble parts



MA28 Dover White

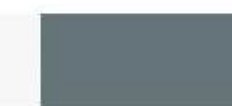


MA32 Calacatta Brazil



MA13 Calacatta Oro  
MA13M Matt Calacatta Oro

## Lacquered structure



FP25 Glossy blue-green  
FP25M Matt blue-green



FP35 Glossy almond  
FP35M Matt almond



FP26 Glossy brick red  
FP26M Matt brick red

## Metal base



ME515M Matt light nickel varnish on frosted brass



ME555M Matt champagne varnish on frosted brass

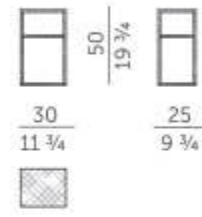


ME545M Matt bronze varnish on frosted brass

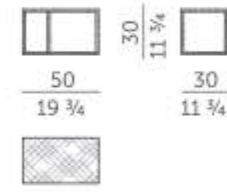


## Side table

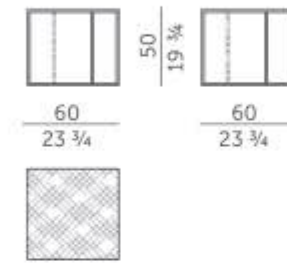
### LINEUP:3025



### LINEUP:5030



### LINEUP:6060



## Metal structure



MES1SM Matt light nickel varnish on frosted brass



ME54SM Matt bronze varnish on frosted brass



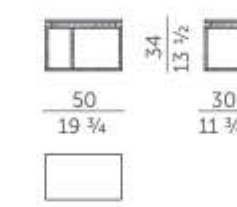
ME55SM Matt champagne varnish on frosted brass



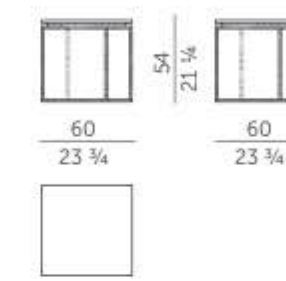
ME56SM Matt light gold varnish on frosted brass

## Side table

### LINEUP:5030/MA

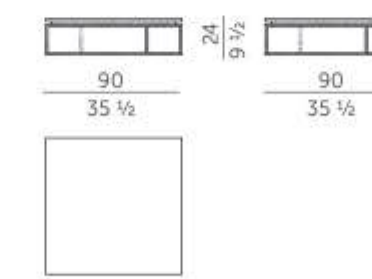


### LINEUP:6060/MA

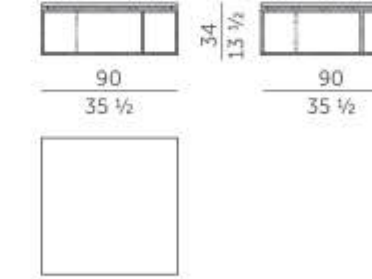


## Coffee table

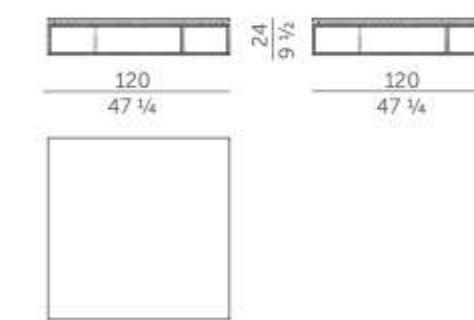
### LINEUP:3090/B/MA



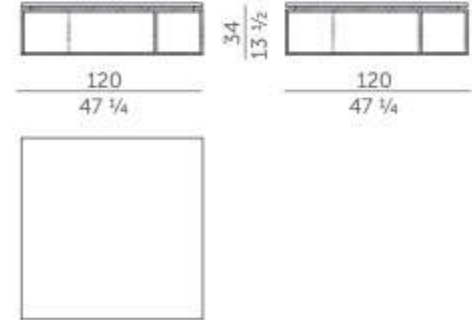
### LINEUP:3090/A/MA



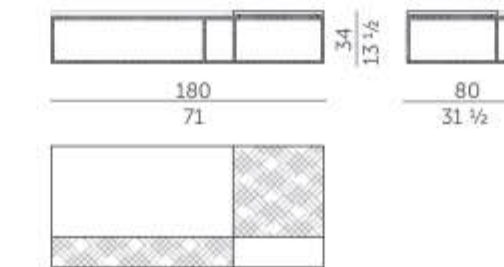
### LINEUP:3120/B/MA



### LINEUP:3120/A/MA



### LINEUP:2177/MA



## Marble top



MA15 Marron Damasco



MA27 Patagonia



MA28 Dover White

## Metal base



ME54SM Matt bronze varnish on frosted brass



ME56SM Matt light gold varnish on frosted brass



ME51SM Matt light nickel varnish on frosted brass

## Onix top



MA22 Alabastro Onix

## Metal base

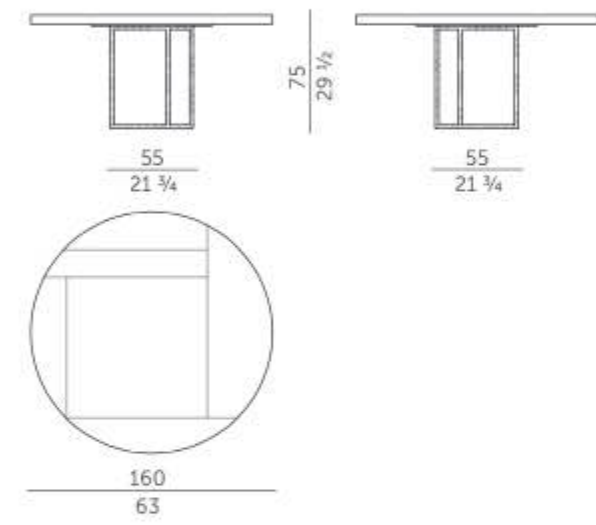


ME54SM Matt bronze varnish on frosted brass

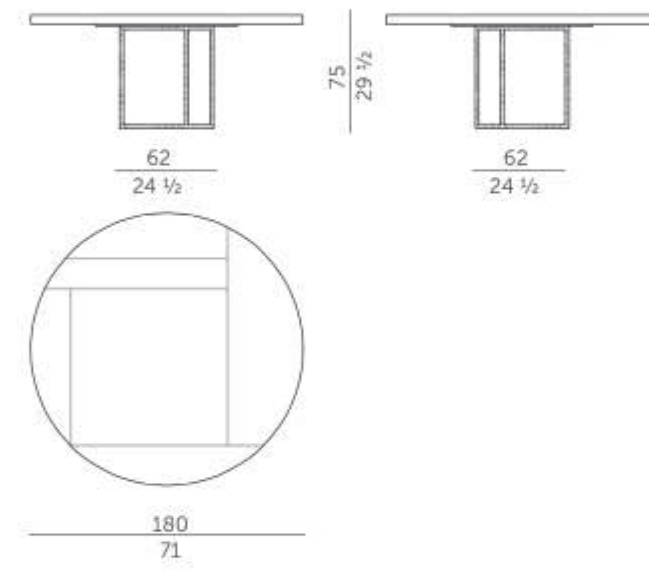


Table

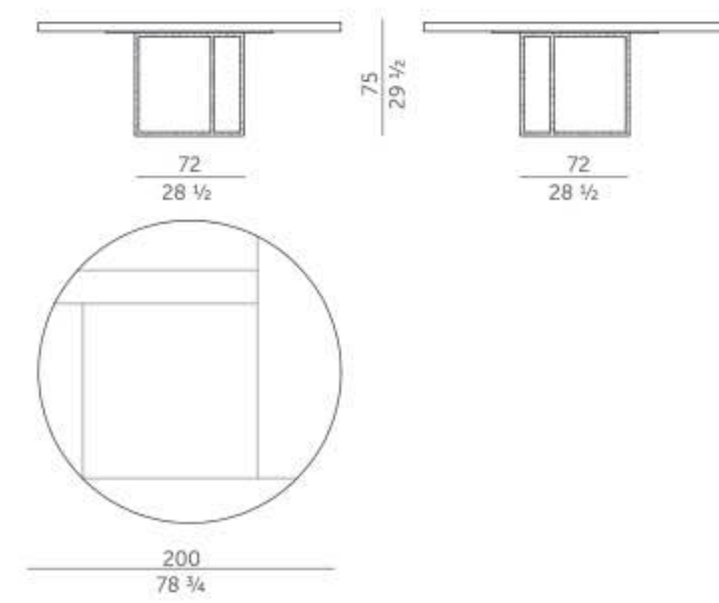
**LINEUP:5160**



**LINEUP:5180**

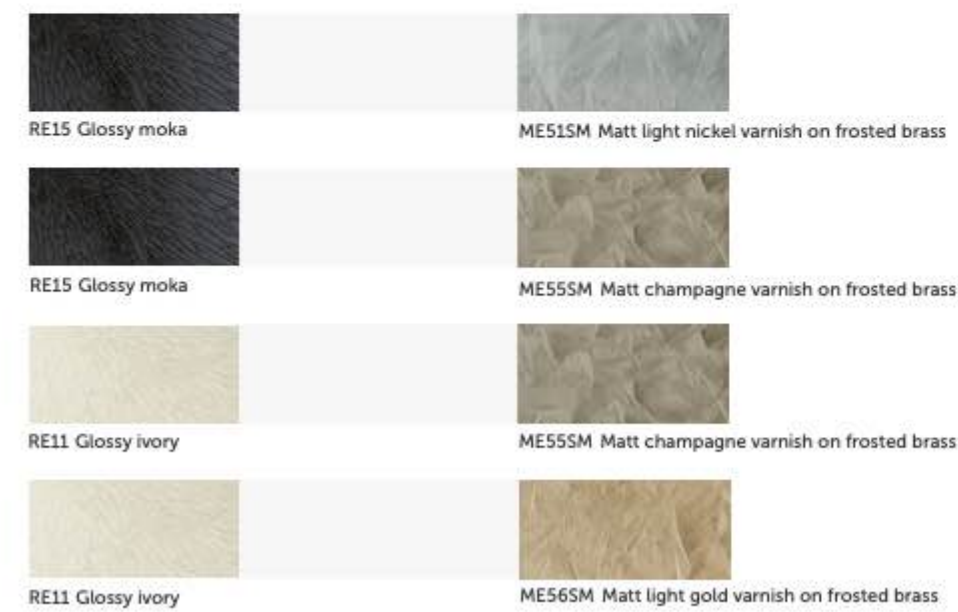


**LINEUP:5200**



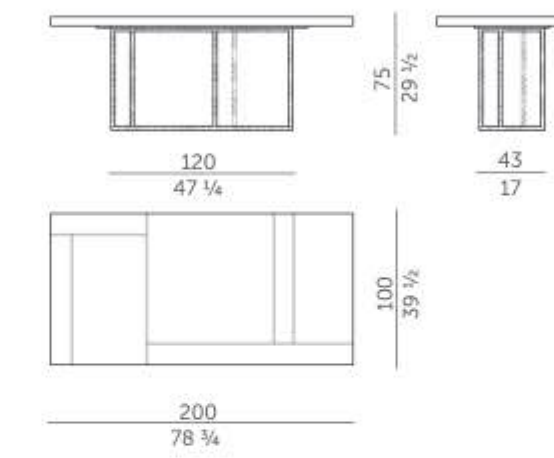
**Artistic resin top**

**Metal base**

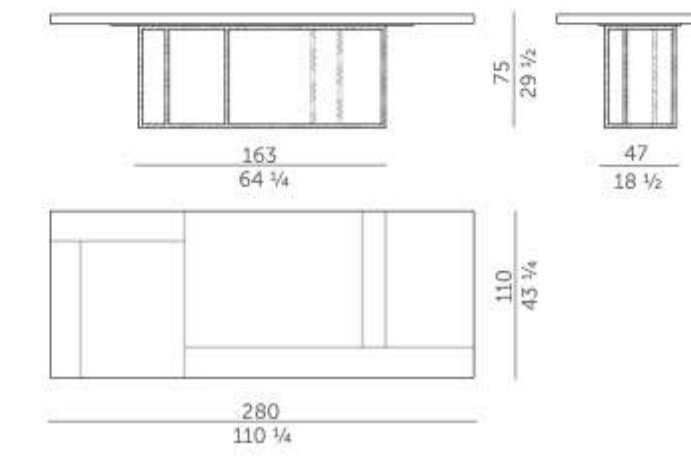


Table

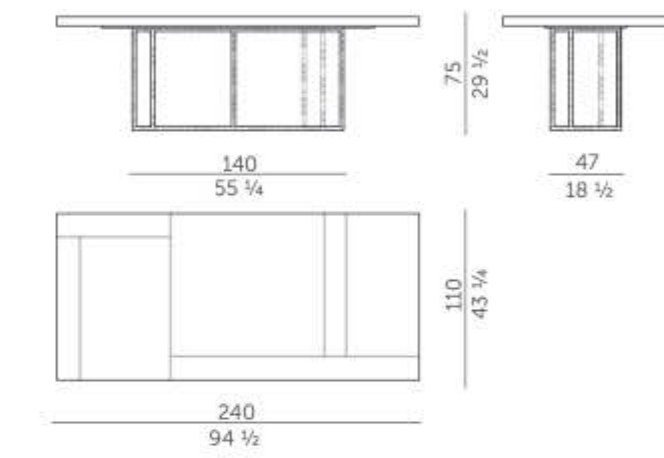
**LINEUP:8200**



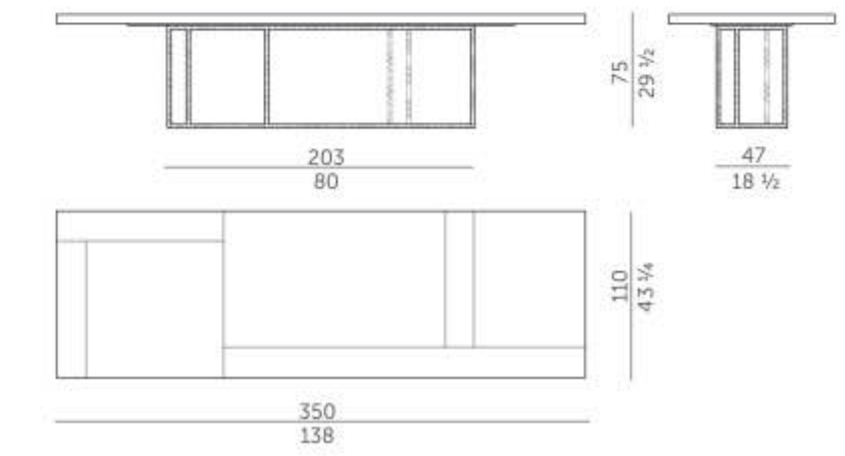
**LINEUP:8280**



**LINEUP:8240**

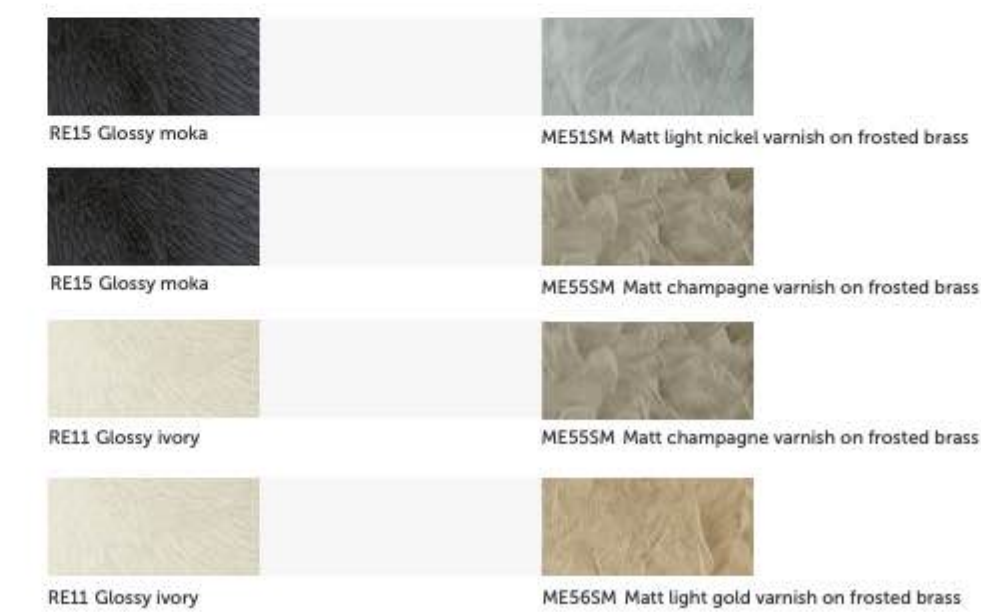


**LINEUP:8350**



**Artistic resin top**

**Metal base**



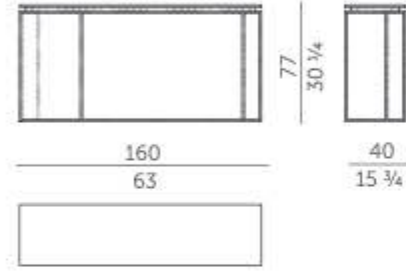


# Lineup

Design Claudio Cappellini - 2018

Console

**LINEUP.10200/MA**



**Marble top**



MA15 Marron Damasco



MA27 Patagonia



MA28 Dover White

**Onix top**



MA22 Alabastro Onix

**Metal base**



ME54SM Matt bronze varnish on frosted brass



ME56SM Matt light gold varnish on frosted brass



ME51SM Matt light nickel varnish on frosted brass

**Metal base**



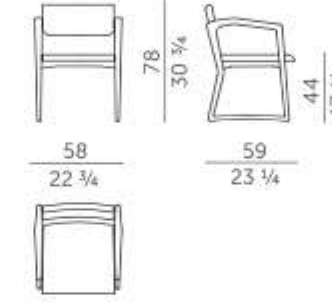
ME54SM Matt bronze varnish on frosted brass

# Meg

Design Claudio Cappellini - 2018

Chair

**MEG.1030**



**Saddle leather parts**



52000/1 Panna



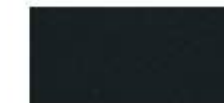
52000/2 Naturale



52000/3 Blue navy



52000/4 Biscuit



52000/5 Liquirizia

**Wooden structure**



FN11N Natural ash



FN11N Natural ash



FN11N Natural ash



FN11N Natural ash

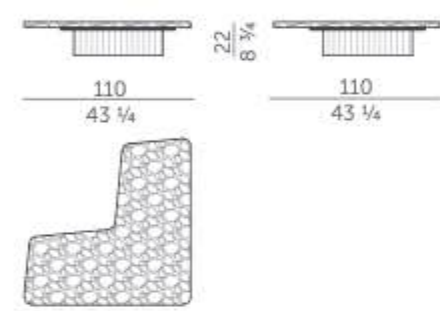


FN11N Natural ash

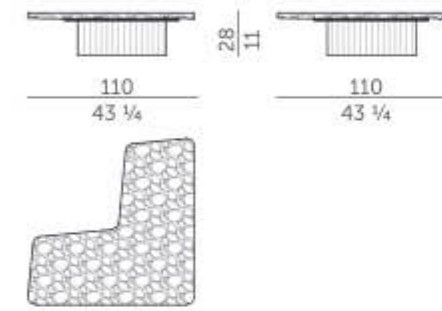


Coffee table

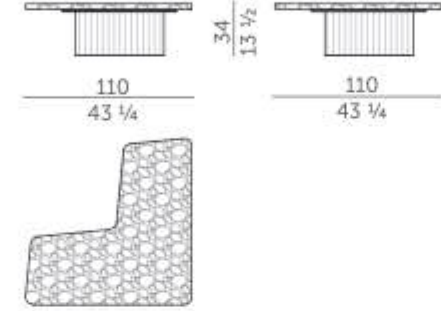
MILLER.3110/C



MILLER.3110/B

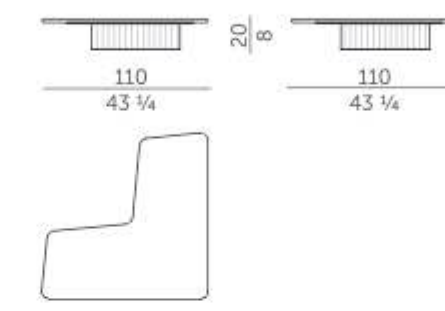


MILLER.3110/A

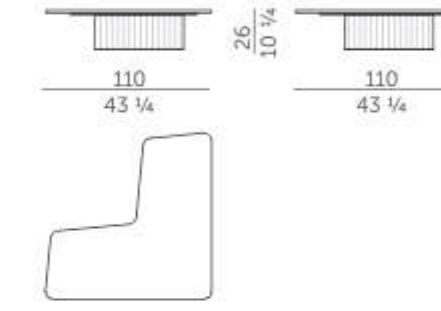


Coffee table

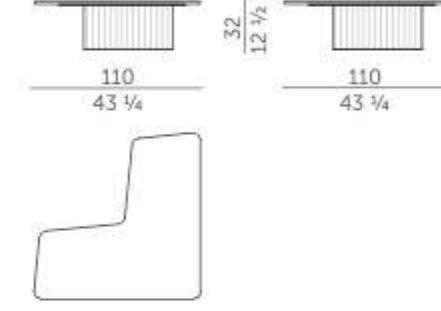
MILLER.3110/C/MA



MILLER.3110/B/MA

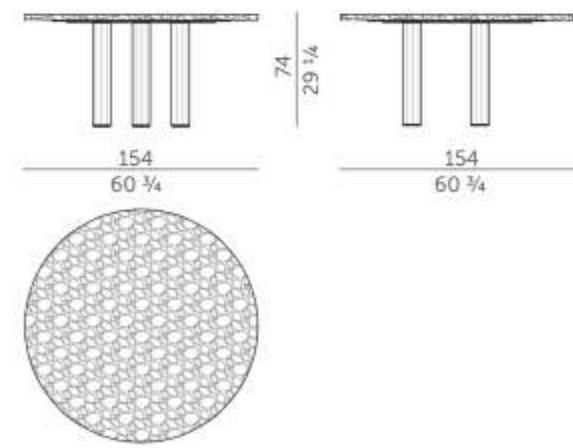


MILLER.3110/A/MA



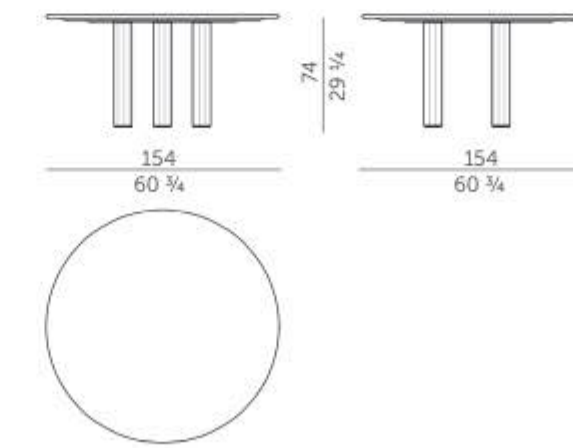
Table

MILLER.5154



Table

MILLER.5154/MA



Artistic glass top



VM47 Clear glass with magma effect and bronze back-painting



VM48 Clear glass with magma effect and platinum back-painting

Metal base



ME11 Shiny chrome finish



ME11 Shiny chrome finish

Marble top



MA28 Dover White



MA31 Ocean Storm



MA35M Matt Superwhite

Metal base



ME11 Shiny chrome finish



ME11 Shiny chrome finish

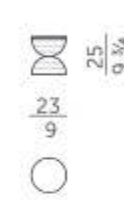


ME11 Shiny chrome finish

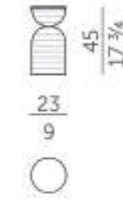


Side table

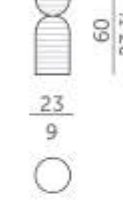
OTTO.1024/C



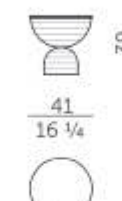
OTTO.1024/B



OTTO.1024/A

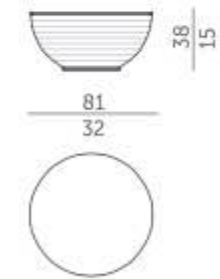


OTTO.1040



Coffee table

OTTO.1080



Marble top



MA15 Marron Damasco

Metal base



ME23M Matt varnished black nickel



MA28 Dover White



ME21M Matt varnished light nickel



MA13 Calacatta Oro  
MA13M Matt Calacatta Oro



ME23M Matt varnished black nickel



MA13 Calacatta Oro  
MA13M Matt Calacatta Oro



ME12 Shiny gold finish  
(Not available for OTTO.1080)

Onix top



MA17 Travertino Onix

Metal base



ME23M Matt varnished black nickel



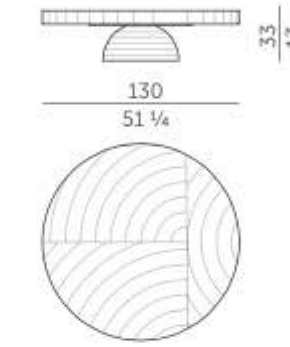
MA17 Travertino Onix



ME12 Shiny gold finish  
(Not available for OTTO.1080)

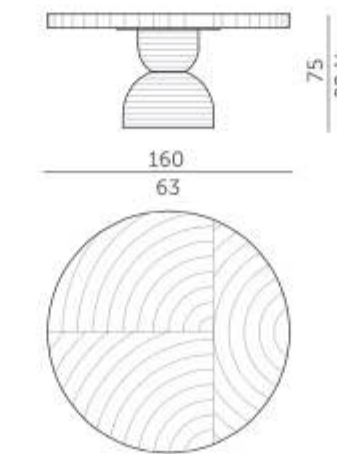
Coffee table

OTTO.1130

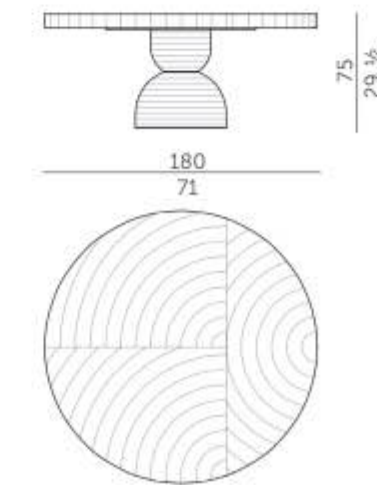


Table

OTTO.5160



OTTO.5180



Artistic finish top



LU11 Moon rock

Metal base



ME21M Matt varnished light nickel



LU11 Moon rock



ME23M Matt varnished black nickel



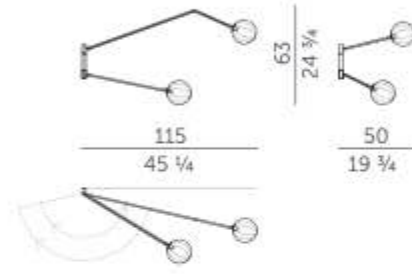
# Planetarium

Design Claudio Cappellini - 2017

## Wall lamp

**PLANETARIUM.2100/PEARL**  
**PLANETARIUM.2100/TR**

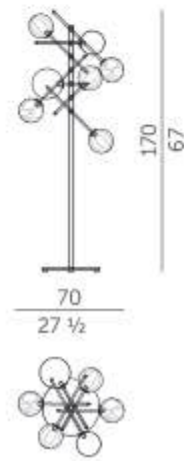
Artistic glass (Hand- blown polychrome glass spheres)  
Artistic glass (Hand- blown clear glass spheres)



## Floor lamp

**PLANETARIUM.3300/PEARL**  
**PLANETARIUM.3300/TR**

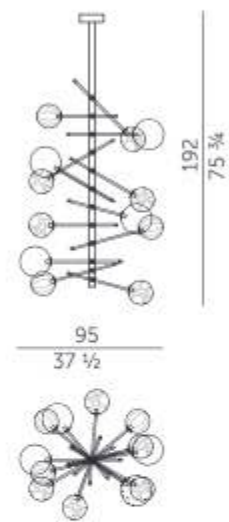
Artistic glass (Hand- blown polychrome glass spheres)  
Artistic glass (Hand- blown clear glass spheres)



## Chandelier

**PLANETARIUM.1000/PEARL**  
**PLANETARIUM.1000/TR**

Artistic glass (Hand- blown polychrome glass spheres)  
Artistic glass (Hand- blown clear glass spheres)



## Metal structure



ME12 Shiny gold finish



ME565M Matt light gold varnish on frosted brass  
(Available only for PLANETARIUM.2100)



ME14 Brushed bronze finish



ME545M Matt bronze varnish on frosted brass  
(Available only for PLANETARIUM.2100)

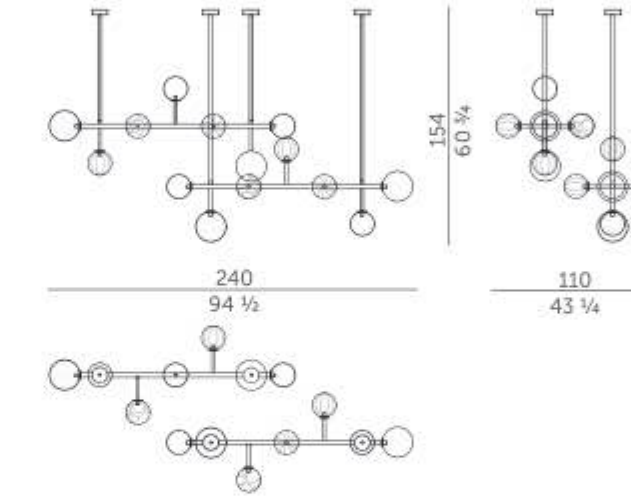
# Planetarium

Design Claudio Cappellini - 2017

## Chandelier

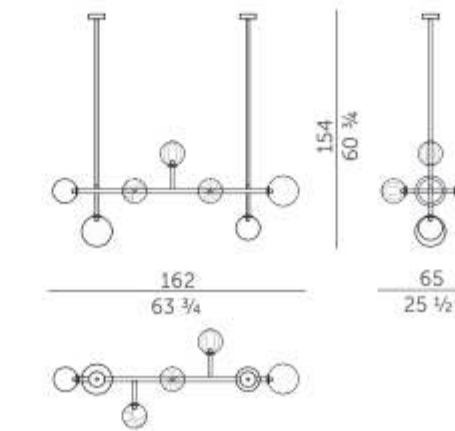
**PLANETARIUM.1300/PEARL**  
**PLANETARIUM.1300/TR**

Artistic glass (Hand- blown polychrome glass spheres)  
Artistic glass (Hand- blown clear glass spheres)



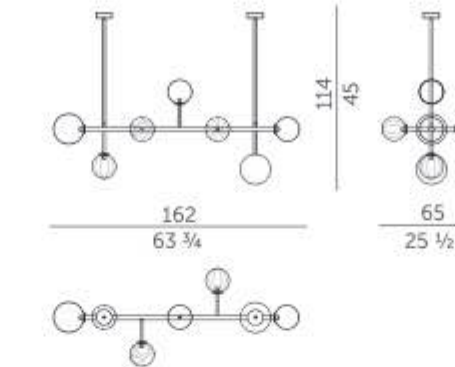
**PLANETARIUM.1300/A/PEARL**  
**PLANETARIUM.1300/A/TR**

Artistic glass (Hand- blown polychrome glass spheres)  
Artistic glass (Hand- blown clear glass spheres)



**PLANETARIUM.1300/B/PEARL**  
**PLANETARIUM.1300/B/TR**

Artistic glass (Hand- blown polychrome glass spheres)  
Artistic glass (Hand- blown clear glass spheres)



## Metal structure



ME12 Shiny gold finish



ME14 Brushed bronze finish

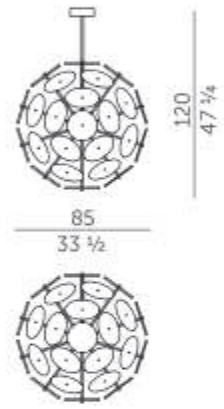


# Richmond

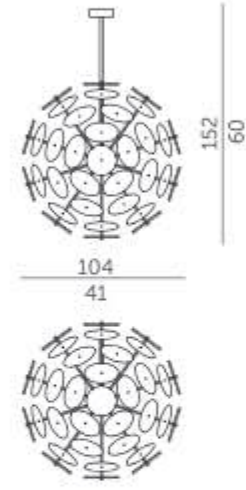
Design Claudio Cappellini - 2017

## Chandelier

**RICHMOND.1100**



**RICHMOND.1300**



## Metal structure



ME11 Shiny chrome finish



ME12 Shiny gold finish

## Artistic glass elements



VM45 Blue glass with bubbles



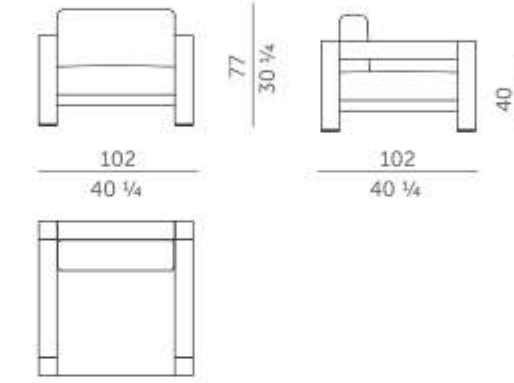
VM57 Smoked glass with bubbles

# Vision

Design Luca Erba - 2018

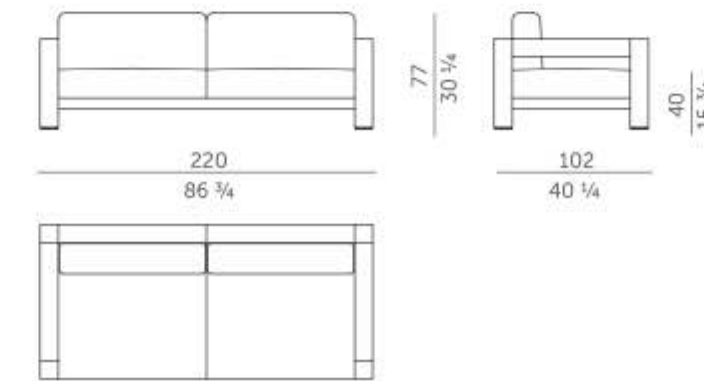
## Armchair

**VISION.2100/HE**

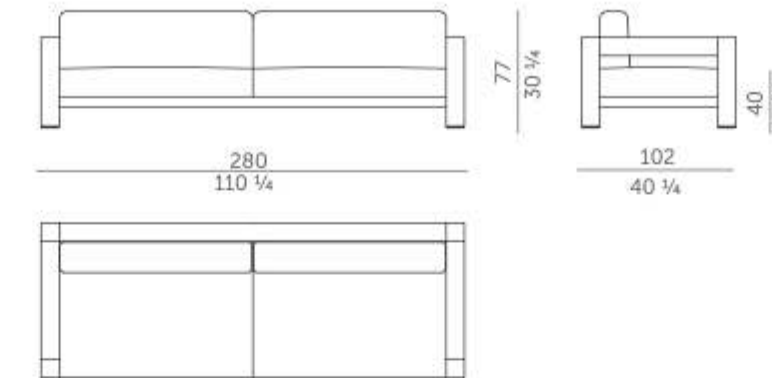


## Sofa

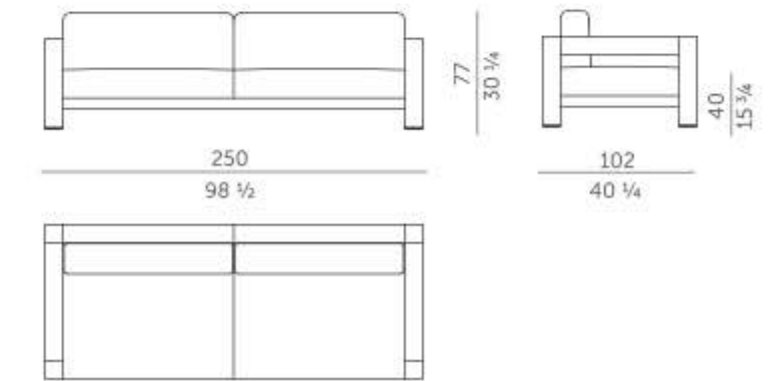
**VISION.2200/HE**



**VISION.2400/HE**

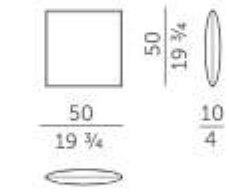


**VISION.2300/HE**

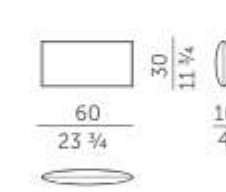


## Fabric cushion

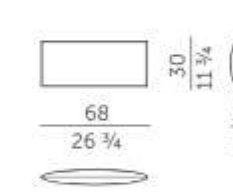
**CT.5050/VISION**



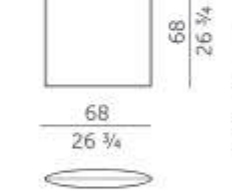
**CT.6030/VISION**



**CT.6830/VISION**

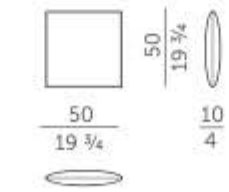


**CT.6868/VISION**

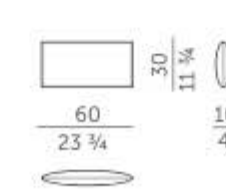


## Leather cushion

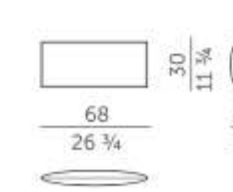
**CP.5050/VISION**



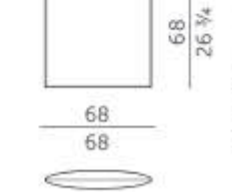
**CP.6030/VISION**



**CP.6830/VISION**



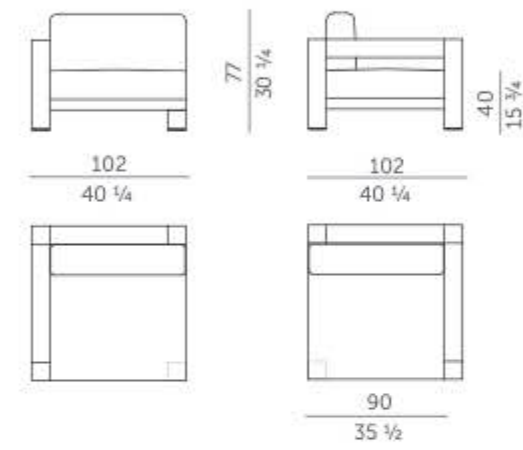
**CP.6868/VISION**



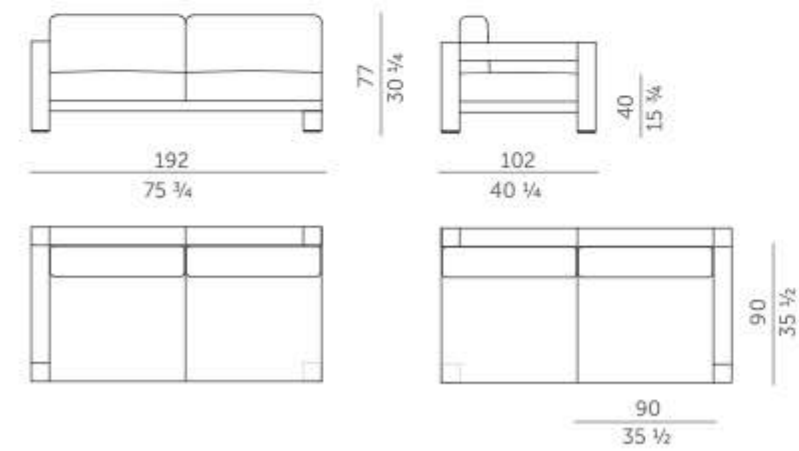


Terminal elements

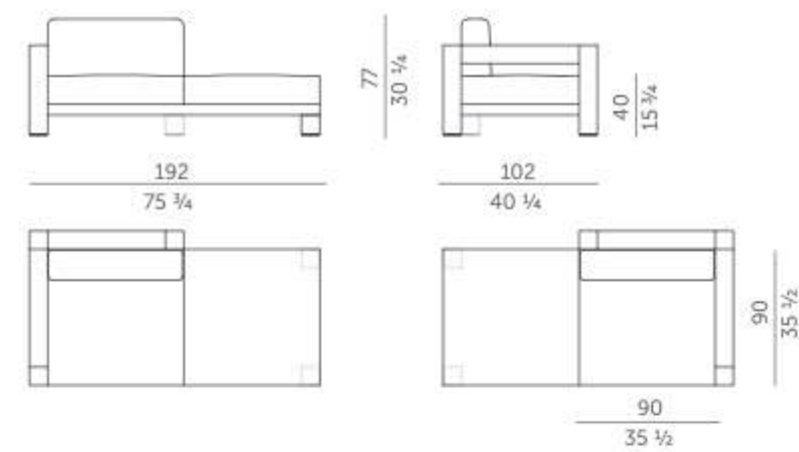
VISION.TE.01/SX/HE VISION.TE.01/DX/HE



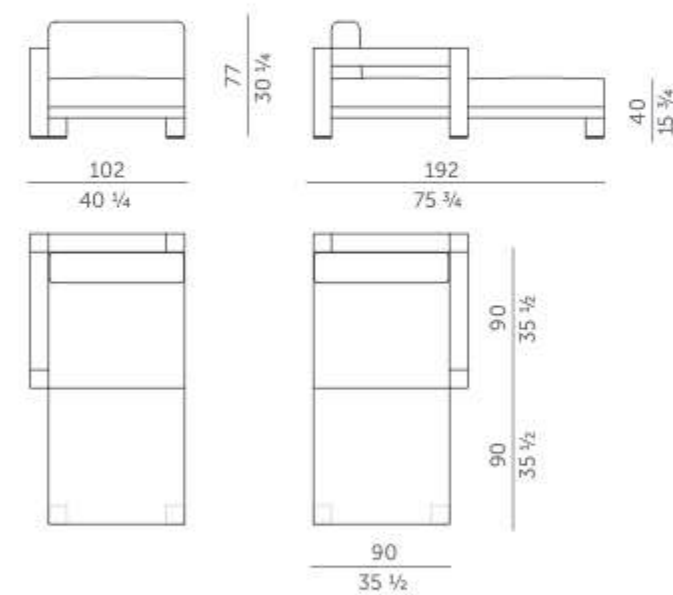
VISION.TE.02/SX/HE VISION.TE.02/DX/HE



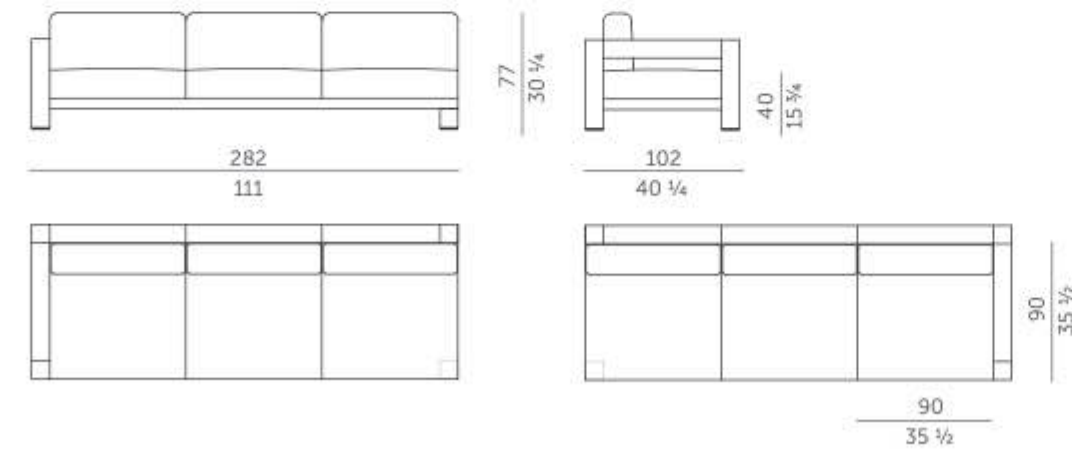
VISION.TE.04/SX/HE VISION.TE.04/DX/HE



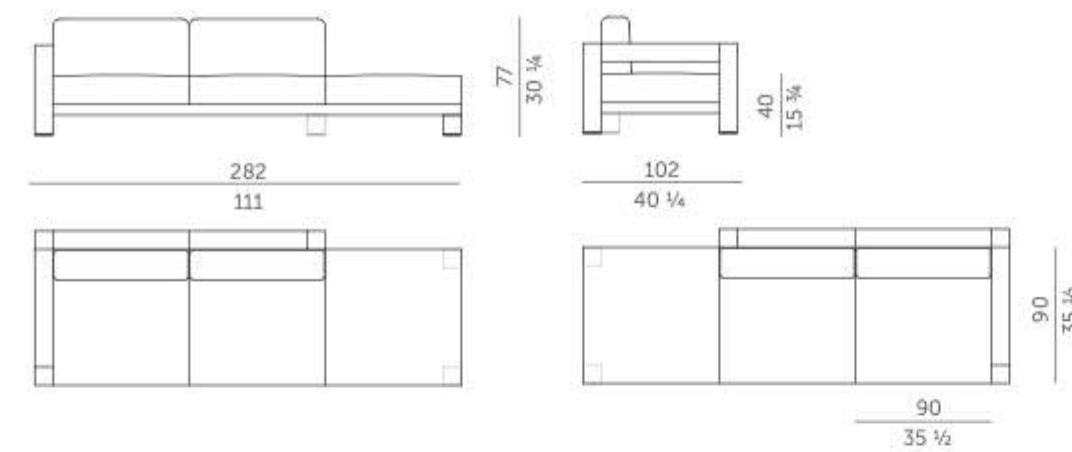
VISION.TE.06/SX/HE VISION.TE.06/DX/HE



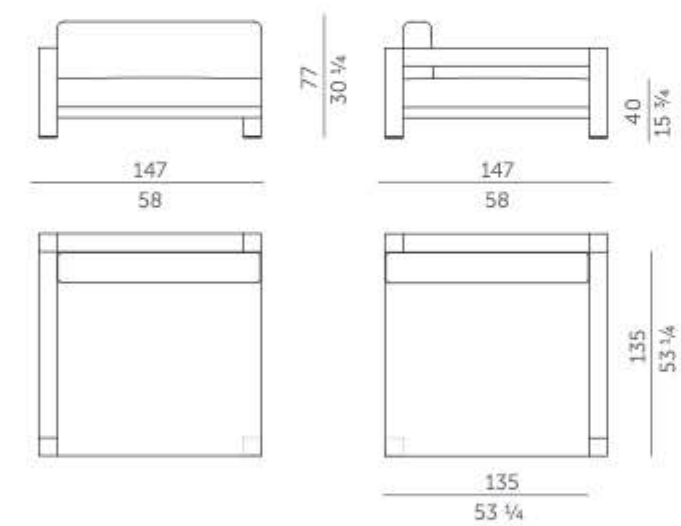
VISION.TE.03/SX/HE



VISION.TE.05/SX/HE



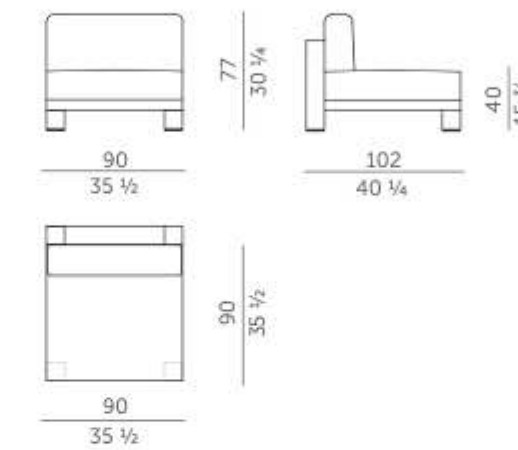
VISION.TE.07/SX/HE



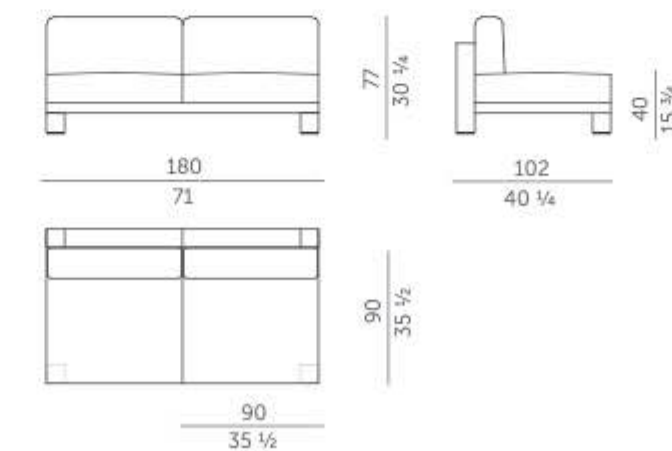
VISION.TE.07/DX/HE

Central elements

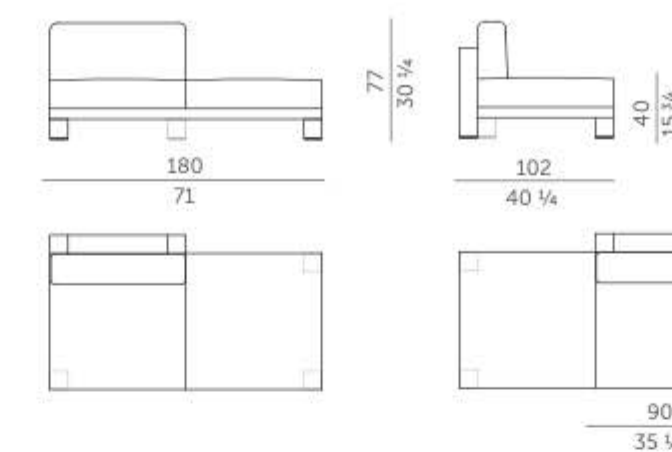
VISION.CE.01/HE



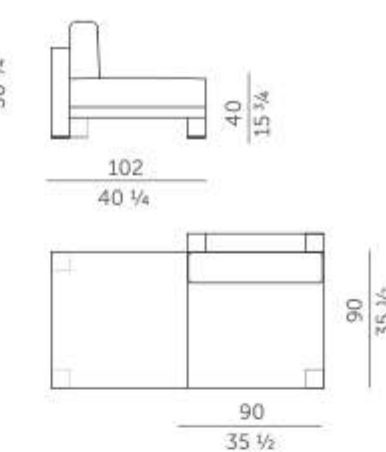
VISION.CE.02/HE



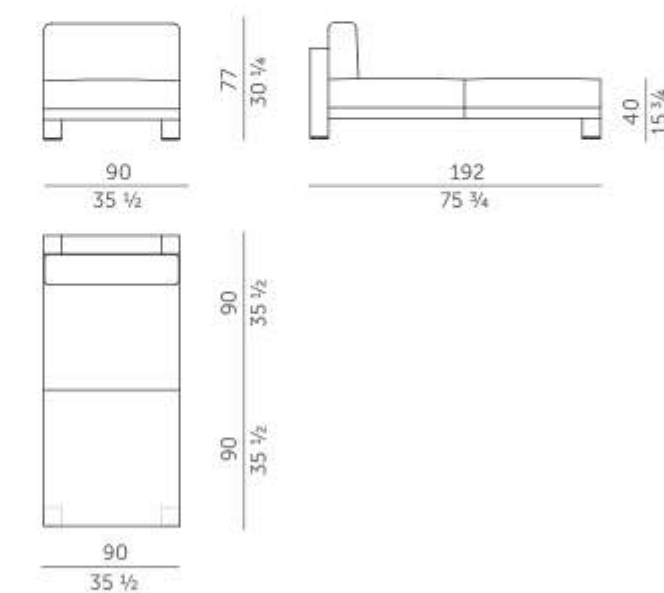
VISION.CE.04/SX/HE



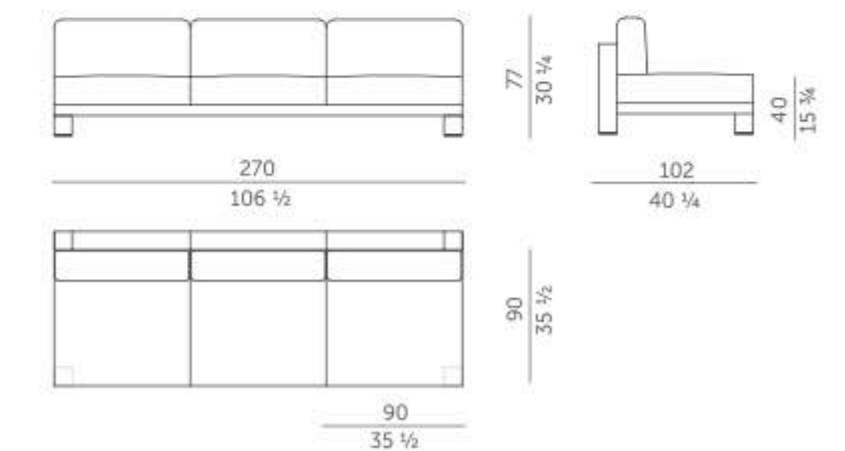
VISION.CE.04/DX/HE



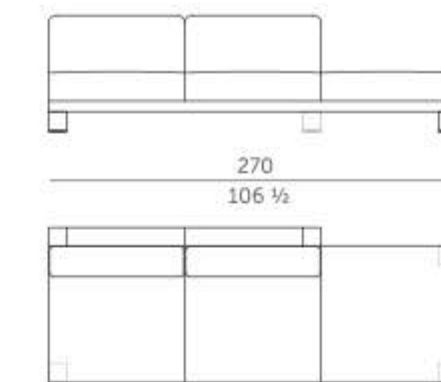
VISION.CE.06/HE



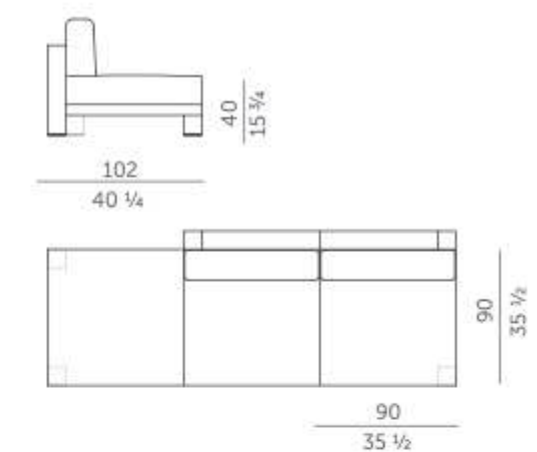
VISION.CE.03/HE



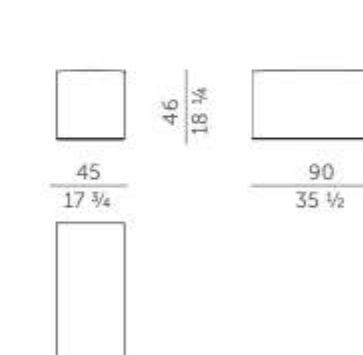
VISION.CE.05/SX/HE



VISION.CE.05/DX/HE



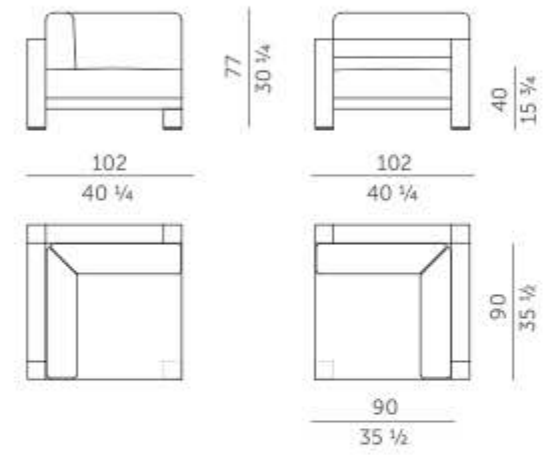
VISION.CE.08/HE



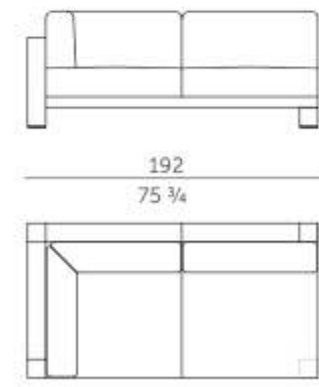


Angular elements

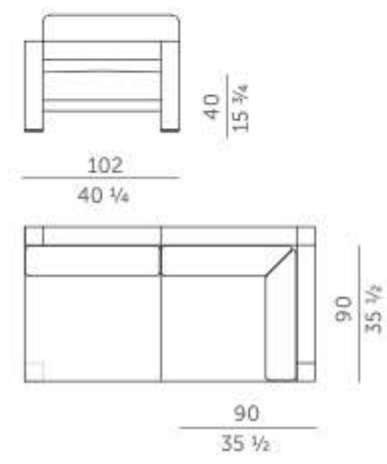
VISION.AN.01/SX/HE VISION.AN.01/DX/HE



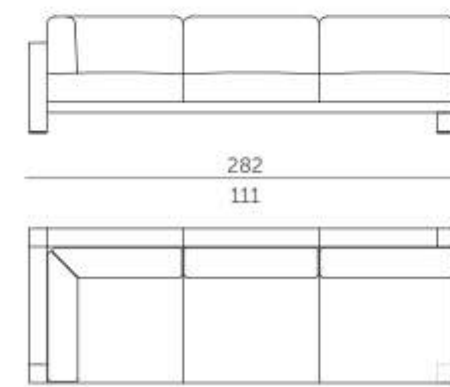
VISION.AN.02/SX/HE



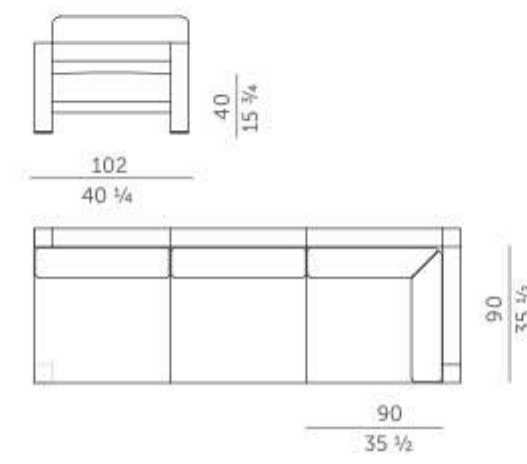
VISION.AN.02/DX/HE



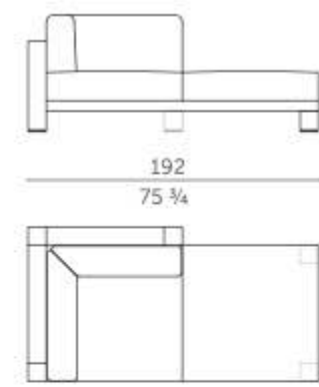
VISION.AN.03/SX/HE



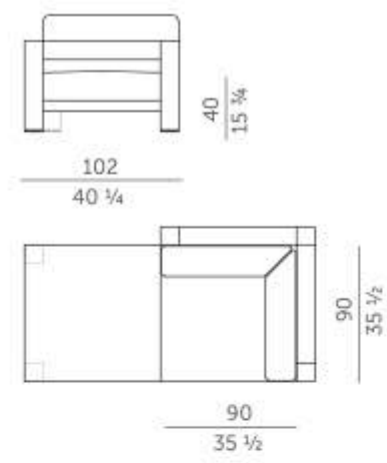
VISION.AN.03/DX/HE



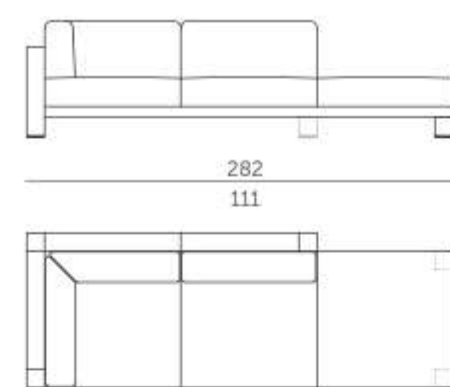
VISION.AN.04/SX/HE



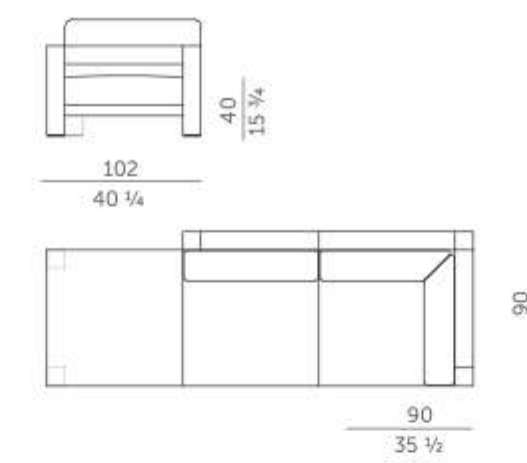
VISION.AN.04/DX/HE



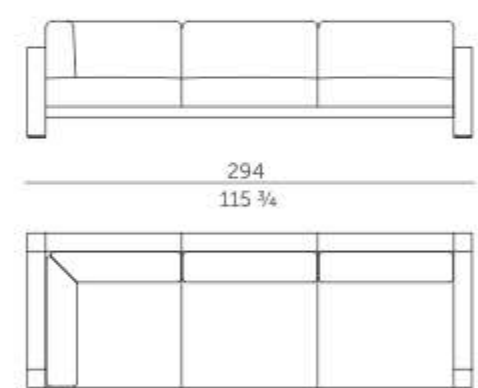
VISION.AN.05/SX/HE



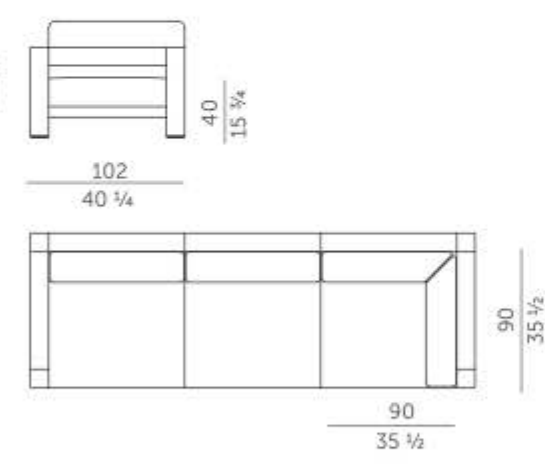
VISION.AN.05/DX/HE



VISION.AN.09/SX/HE

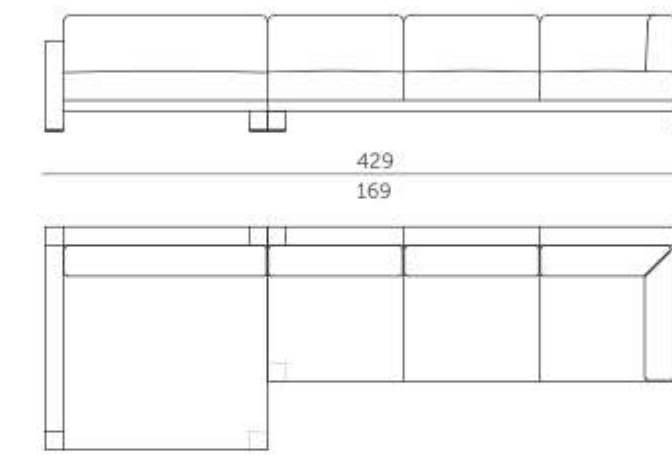


VISION.AN.09/DX/HE

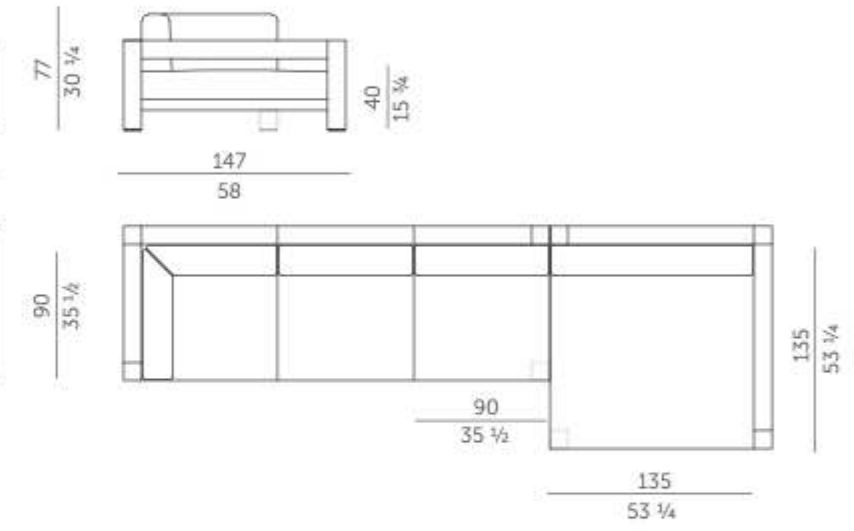


Modular sofas proposals

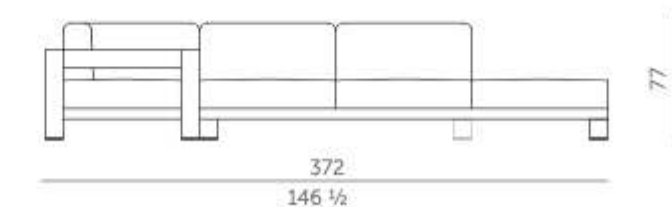
VISION.2500/SX/HE



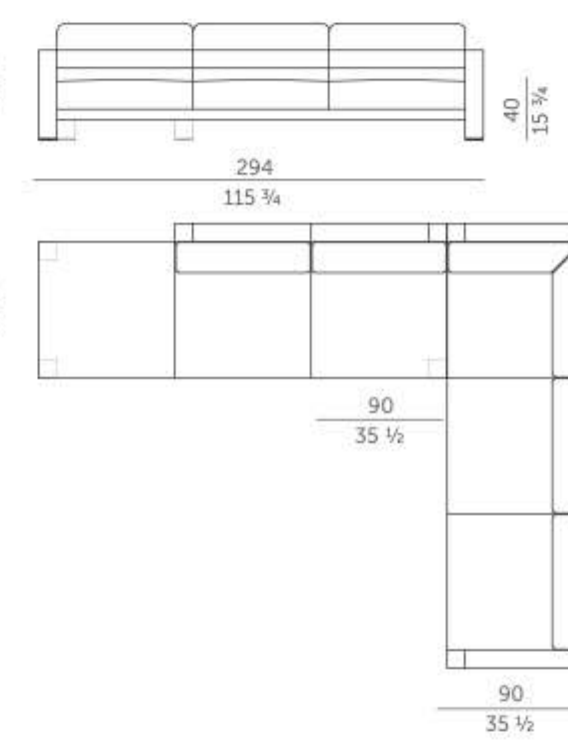
VISION.2500/DX/HE



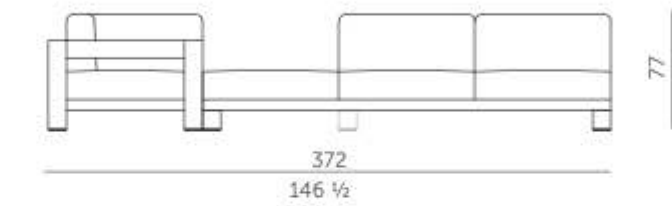
VISION.2550/SX/HE



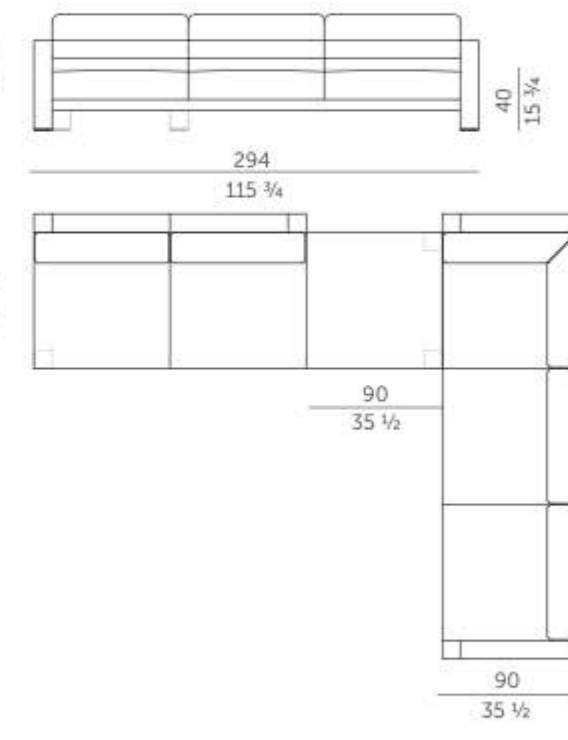
VISION.2550/DX/HE



VISION.2600/SX/HE



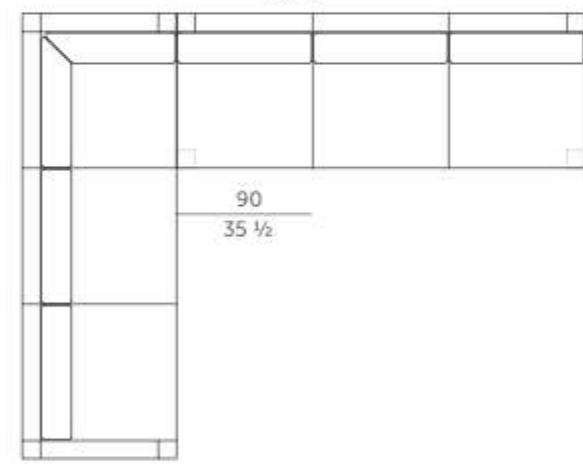
VISION.2600/DX/HE



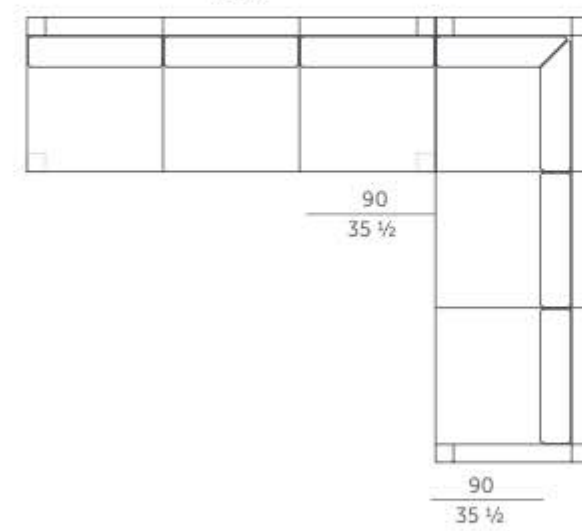


Modular sofas proposals

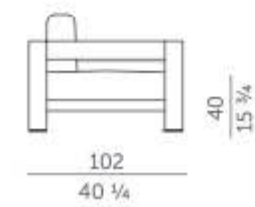
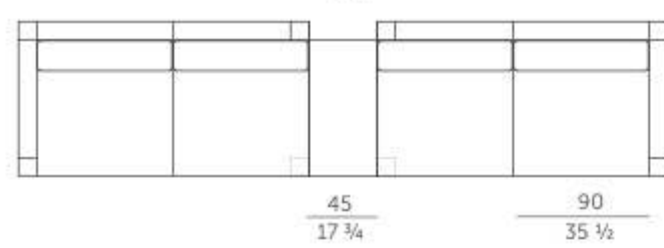
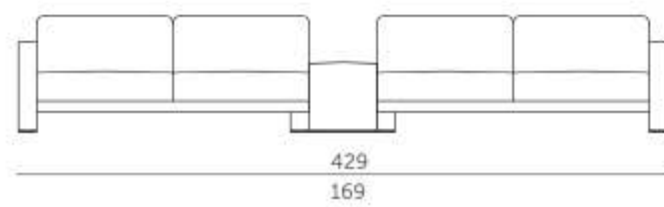
VISION.2650/SX/HE



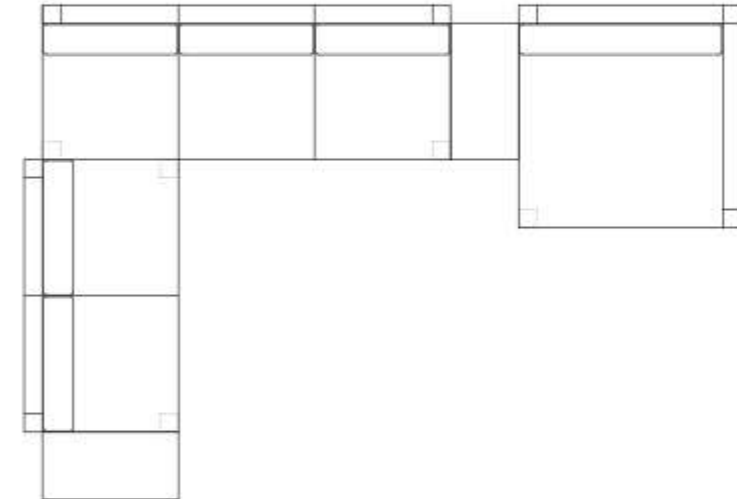
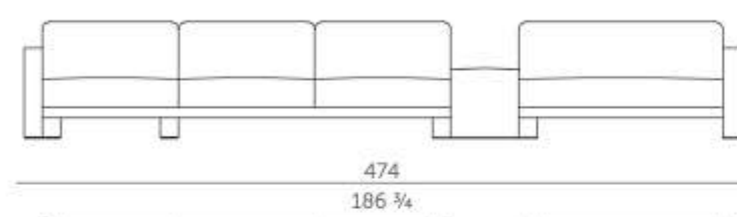
VISION.2650/DX/HE



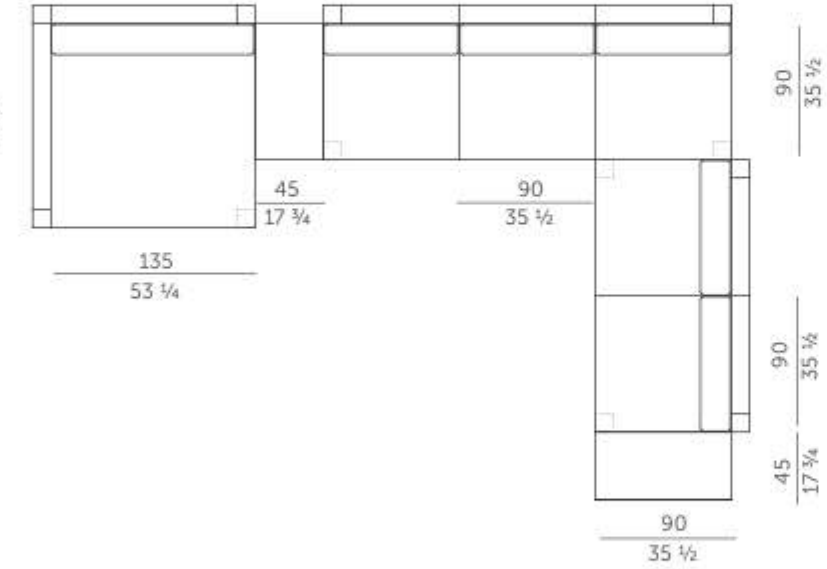
VISION.2700/HE



VISION.2800/SX/HE

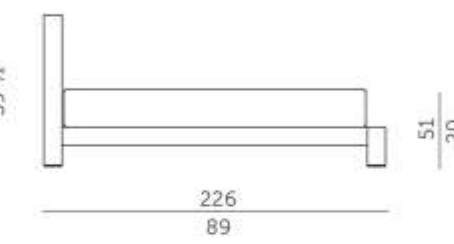
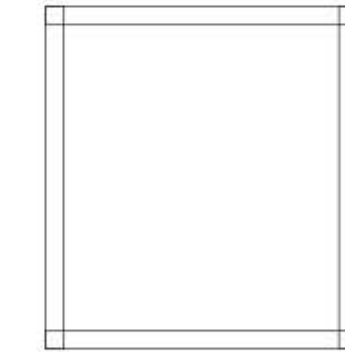
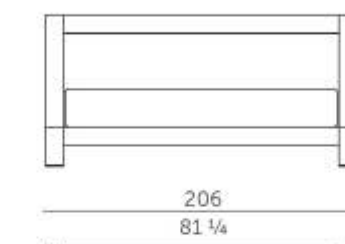


VISION.2800/DX/HE

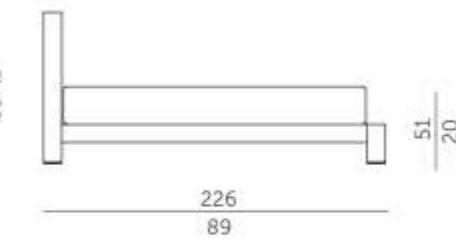
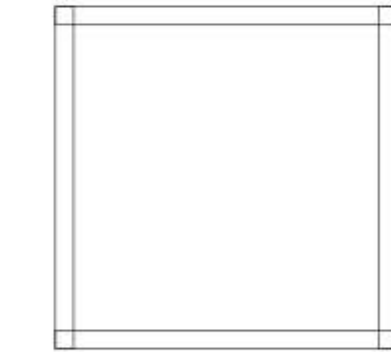
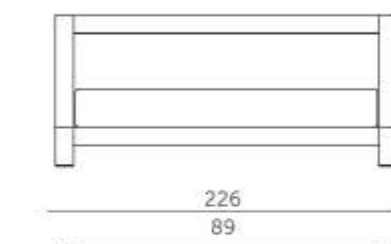


Bed

VISION.5180/HE



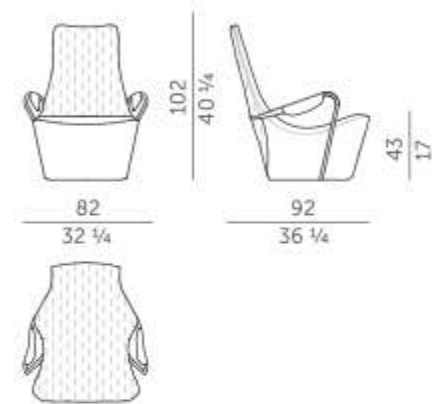
VISION.5200/HE



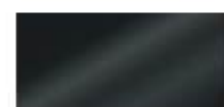


## Armchair

WAVE.2100/TR/BR



## Metal parts



ME13 Shiny black nickel finish



ME14 Brushed bronze finish



## HESENTIA | CORNELIO CAPPELLINI®

I prodotti di questo catalogo sono stati oggetto di domanda di brevetto. Diffidiamo chiunque dal produrre e vendere modelli che riproducano pedissequamente quanto tutelato.

Tutti i diritti sono riservati. Nessuna parte di questa pubblicazione può essere riprodotta, archiviata automaticamente o trasmessa, in alcuna forma o mezzo, elettronico, meccanico, fotocopia, registrazione, senza il permesso scritto da parte della Cornelio Cappellini srl Italy.

L'azienda si riserva la facoltà di apportare in qualsiasi momento modifiche tecniche e di dimensioni ai modelli, anche senza preavviso. La stampa tipografica non sempre permette la fedele riproduzione dei colori e delle tinte rispetto agli originali.

Patent application was filed for all the products presented in this catalogue. Any person who produces or sells models like the ones under tutelage may be liable to persecution and civil claims for damages.

All rights reserved. No part of this publication may be reproduced, stored in a retrieval system or transmitted, in any form or by any means, including electronic, mechanical, photocopying, recording or otherwise, without written permission from the company Cornelio Cappellini S.r.l. Italy.

The company reserves the right to change, at any time and without prior warning, the technical specifications and dimension of the articles. The printing process doesn't always permit a faithful reproduction of colours and tones as compared to the original.







